



® LR 3902

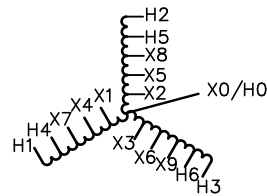
UL DRY TYPE TRANSFORMER 77US E112313

LISTED

GUELPH, ONT. BARABOO, WI COMPTON, CA MONTERREY, MX

THREE PHASE DRY TYPE AUTOTRANSFORMER
AUTOTRANSFORMATEUR SEC TRIPHASE

HV/HT	600Y/346V 480Y/277V			Cust. Ref. Réf. du client	
BIL	-			Serial No. No. de série	
TERM. BORNES	H0 H1 H4 H2 H5 H3 H6			Part No. No. de pièce	Y225QTCH3LOU
	VOLTS	CURRENT COURANT	% RATED VOLTAGE % TENSION NOMINALE	CONNECTION EACH PHASE CONNEXION PAR PHASE	kVA
	600Y/346V 480Y/277V	216.3 270.6		H0 H1 H2 H3 H0 H4 H5 H6	225
	400Y/231V 240Y/139V 208Y/120V	324.7 541.2 624.5		X0 X7 X8 X9 X0 X4 X5 X6 X0 X1 X2 X3	TYPE
					K
					Cooling Refroidissement
					ANN
					Temp. Rise Echauffement
					150 °C
					Temp. Class Classe de Temp.
					220 °C
					Frequency Fréquence
					60 Hz
					Impédance % @ 170 °C
					2.8
LV/BT	208Y/120V 240Y/139V 400Y/231V			Encl. Type Type de boîtier	3R
BIL	-			Wt Poids	980
TERM. BORNES	X0 X1 X2 X3 X4 X5 X6 X7 X8 X9			Winding Enroulement	CU



SPACINGS BETWEEN ENCLOSURE AND ANY ADJACENT WALL SHALL BE A MINIMUM OF 6 INCHES EXCEPT WHEN WALL MOUNTED USING HPS WALL MOUNTING KIT

VOLTAGES SHOWN ARE FOR 3 PHASE, 4 WIRE SYSTEMS. NEUTRAL AND GROUND CONNECTIONS SHOULD BE MADE IN ACCORDANCE WITH LOCAL ELECTRICAL CODE AND STANDARDS REQUIREMENTS

D003302b1

HAM3656



THIS DRAWING CONTAINS STRICTLY CONFIDENTIAL INFORMATION BELONGING TO HAMMOND POWER SOLUTIONS AND MUST NOT BE DISTRIBUTED OUTSIDE AUTHORIZED PARTIES.



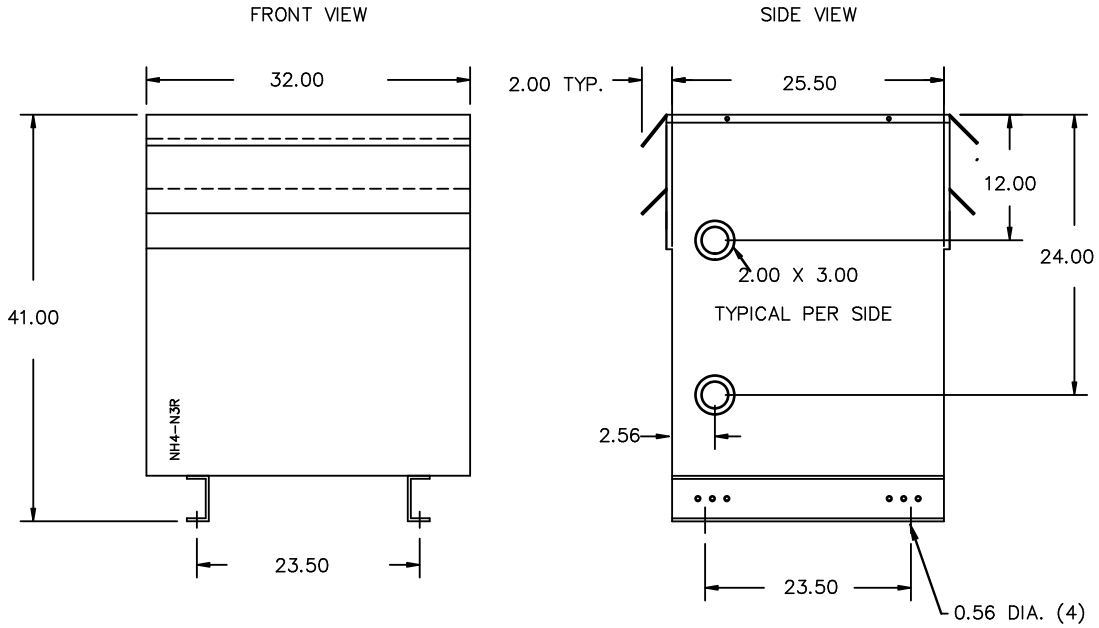
TITLE: 3PH AUTO TRANSFORMER.
NAMEPLATE INFORMATION

1	16/06/24	MG	UPDATED TO MEET ACTUAL STDS [HCN 63469]	DES: RBHATIA
NO.	DATE	BY	REVISION	SCALE: NTS

SHEET 1 OF 2

EDB Y225QTCH3LOU

1.0 httpd 2026/04/02 09:05



All Dimensions in inches

ENCLOSURE COLOR :ANSI 61 GREY – OUTDOOR

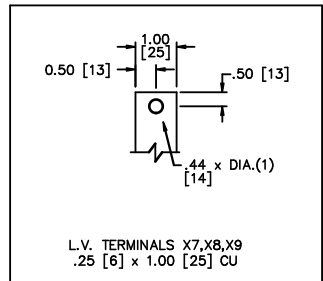
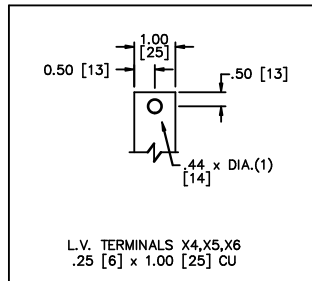
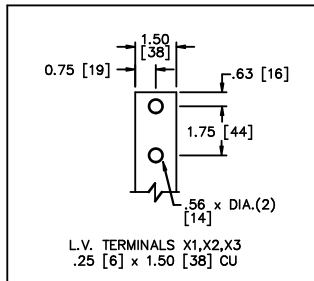
H.V.1. TERMINAL DETAIL

L.V.1. TERMINAL DETAIL

L.V.2. TERMINAL DETAIL

L.V.3. TERMINAL DETAIL

SUITABLE FOR 600MCM-2 CU/AL CONDUCTORS
1 CONDUCTOR PER PHASE



CUSTOMER NOTES:

- HV1 TERMINATED AT TOP FRONT
- LV1 TERMINATED AT BOTTOM FRONT



TITLE: 3PH AUTO TRANSFORMER.

1	16/06/24	MG	UPDATED TO MEET ACTUAL STDS [HCN 63469]	DES: RBHATIA
NO.	DATE	BY	REVISION	SCALE: NTS

SHEET 2 OF 2

EDB Y2250TCH310U