



® LR 3902

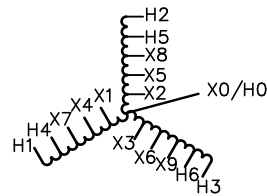
UL DRY TYPE TRANSFORMER 77US E112313

LISTED

GUELPH, ONT. BARABOO, WI COMPTON, CA MONTERREY, MX

THREE PHASE DRY TYPE AUTOTRANSFORMER  
AUTOTRANSFORMATEUR SEC TRIPHASE

HV/HT	600Y/346V 480Y/277V			Cust. Ref. Réf. du client	
BIL	-			Serial No. No. de série	
TERM. BORNES	H0 H1 H4 H2 H5 H3 H6			Part No. No. de pièce	Y112QTCH3LOU
	VOLTS	CURRENT COURANT	% RATED VOLTAGE % TENSION NOMINALE	CONNECTION EACH PHASE CONNEXION PAR PHASE	kVA
	600Y/346V 480Y/277V	108.3 135		H0 H1 H2 H3 H0 H4 H5 H6	112.5
	400Y/231V 240Y/139V 208Y/120V	162.3 270.6 312.3		X0 X7 X8 X9 X0 X4 X5 X6 X0 X1 X2 X3	TYPE
					K
					Cooling Refroidissement
					ANN
					Temp. Rise Echauffement
					150 °C
					Temp. Class Classe de Temp.
					220 °C
					Frequency Fréquence
					60 Hz
					Impédance % @ 170 °C
					2.6
LV/BT	208Y/120V 240Y/139V 400Y/231V			Encl. Type Type de boîtier	3R
BIL	-			Wt Poids	585
TERM. BORNES	X0 X1 X4 X7 X2 X5 X8 X3 X6 X9			Winding Enroulement	CU



SPACINGS BETWEEN ANY VENTILATED ENCLOSURE PANEL AND ANY ADJACENT WALL SHALL BE A MINIMUM OF 5 INCHES EXCEPT WHEN WALL MOUNTED USING APPROVED WALL MOUNTING KIT

VOLTAGES SHOWN ARE FOR 3 PHASE, 4 WIRE SYSTEMS. NEUTRAL AND GROUND CONNECTIONS SHOULD BE MADE IN ACCORDANCE WITH LOCAL ELECTRICAL CODE AND STANDARDS REQUIREMENTS



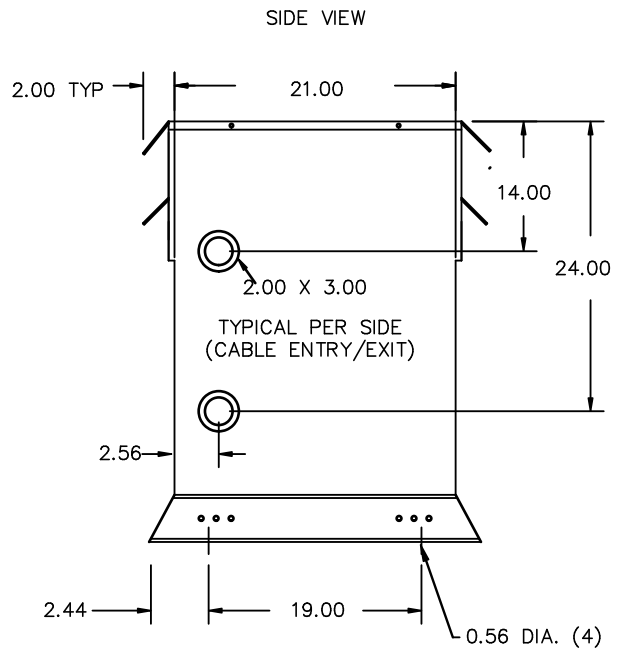
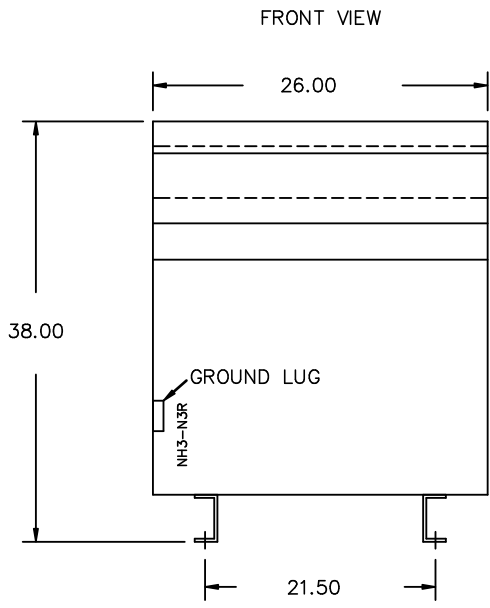
TITLE: 3PH AUTO TRANSFORMER  
NAMEPLATE INFORMATION

1	15/12/21	GP	CHANGED NPL VER:	DES: RMOVVA
NO.	DATE	BY	REVISION	SCALE: NTS

SHEET 1 OF 2

EDB Y112QTCH3LOU

THIS DRAWING CONTAINS STRICTLY CONFIDENTIAL INFORMATION BELONGING TO HAMMOND POWER SOLUTIONS AND MUST NOT BE DISTRIBUTED OUTSIDE AUTHORIZED PARTIES.



All Dimensions in inches

ENCLOSURE COLOR :ANSI 61 GREY- OUTDOOR

H.V.1. TERMINAL DETAIL

L.V.1. TERMINAL DETAIL

L.V.2. TERMINAL DETAIL

MECHANICAL TYPE LUGS INCLUDED  
SUITABLE FOR 250MCM-6 CU/AL  
CONDUCTORS  
1 CONDUCTOR PER PHASE

MECHANICAL TYPE LUGS INCLUDED  
SUITABLE FOR 350MCM-6 CU/AL  
CONDUCTORS  
2 CONDUCTORS PER PHASE

MECHANICAL TYPE LUGS INCLUDED  
SUITABLE FOR 600MCM-2 CU/AL  
CONDUCTORS  
1 CONDUCTOR PER PHASE

CUSTOMER NOTES:

- HV1 TERMINATED AT TOP FRONT
- LV1 TERMINATED AT BOTTOM FRONT
- LV2 TERMINATED AT BOTTOM FRONT



TITLE:		3PH AUTO TRANSFORMER		
1	15/12/21	GP	CHANGED NPL VER:	DES: RMOVVA
NO.	DATE	BY	REVISION	SCALE: NTS

SHEET 2 OF 2

EDBY1120TCH3100

THIS DRAWING CONTAINS STRICTLY CONFIDENTIAL INFORMATION BELONGING TO HAMMOND POWER SOLUTIONS AND MUST NOT BE DISTRIBUTED OUTSIDE AUTHORIZED PARTIES. 1.0 httpd 2026/04/08 05:27