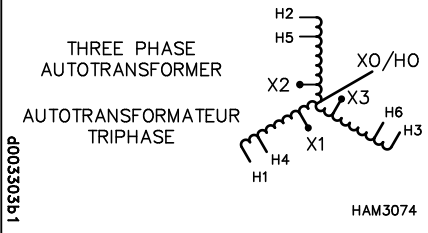




GUELPH, ONT. BARABOO, WI COMPTON, CA MONTERREY, MX

THREE PHASE DRY TYPE AUTOTRANSFORMER
AUTOTRANSFORMATEUR SEC TRIPHASE

HV/HT	240Y/139V 216Y/125V			Cust. Ref. Réf. du client					
BIL	-			Serial No. No. de série					
TERM. BORNES	H0	H1	H2	H3	H4	H5	H6	Part No. No. de pièce	Y045CECF3LOU
	VOLTS	CURRENT COURANT	% RATED VOLTAGE % TENSION NOMINALE	CONNECTION EACH PHASE CONNEXION PAR PHASE		kVA	45	TYPE	QT
	240Y/139V 216Y/125V	108.3 120.3		H0 H1-H2-H3 H0 H4-H5-H6		Cooling Refroidissement	ANC	Temp. Rise Echauffement	115 °C
LV/BT	208Y/120V		125A	Impédance % @ 135 °C	.55	Encl. Type Type de boîtier	3R	Wt Poids	130 lbs
BIL	-			Winding Enroulement	COPPER				
TERM. BORNES	X0	X1	X2	X3					



VOLTAGES SHOWN ARE FOR 3 PHASE, 4 WIRE SYSTEMS. NEUTRAL AND GROUND CONNECTIONS SHOULD BE MADE IN ACCORDANCE WITH LOCAL ELECTRICAL CODE AND STANDARDS REQUIREMENTS



THIS DRAWING CONTAINS STRICTLY CONFIDENTIAL INFORMATION BELONGING TO HAMMOND POWER SOLUTIONS AND MUST NOT BE DISTRIBUTED OUTSIDE AUTHORIZED PARTIES.

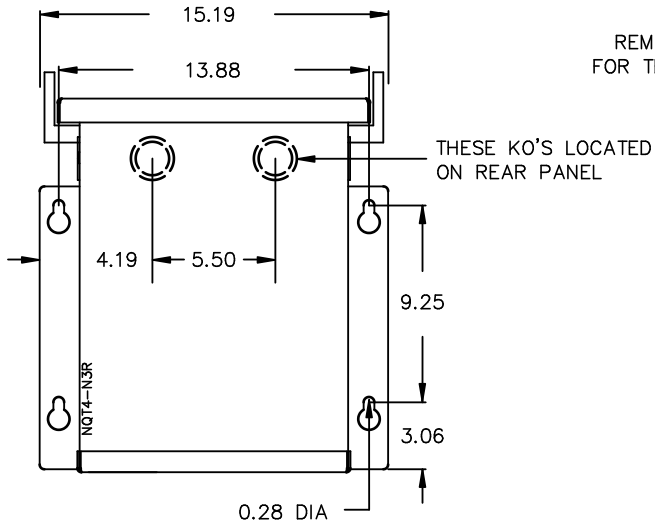


TITLE: 3 PH ENCAPSULATED AUTO TRANSFORMER
NAMEPLATE INFORMATION

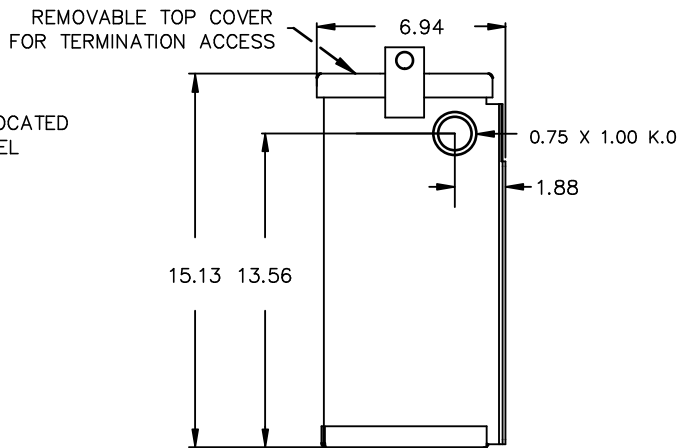
DES:	WWONG
DATE:	16/08/10
SCALE:	NTS

SHEET 1 OF 2
EDB Y045CECF3LOU

FRONT VIEW



SIDE VIEW



All Dimensions in inches

ENCLOSURE COLOR :ANSI 61 GREY – OUTDOOR

CUSTOMER NOTES:



TITLE: 3 PH ENCAPSULATED AUTO TRANSFORMER

				DES: WWONG
				DATE: 16/08/10
NO.	DATE	BY	REVISION	SCALE: NTS

SHEET 2 OF 2

EDB Y045CECF 3100