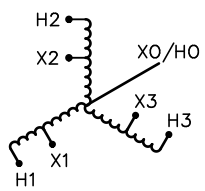




GUELPH, ONT. BARABOO, WI COMPTON, CA MONTERREY, MX

THREE PHASE DRY TYPE AUTOTRANSFORMER
AUTOTRANSFORMATEUR SEC TRIPHASE

HV/HT	600Y/346V (60HZ) 28.9A		Cust. Ref.	
	480Y/277V (50/60HZ) 28.9A		Réf. du client	
BIL	-		Serial No.	
			No. de série	
TERM. BORNES	H0 H1 H2 H3		Part No.	Y030PKCF3L0U
			No. de pièce	
	VOLTS	CURRENT COURANT	% RATED VOLTAGE % TENSION NOMINALE	CONNECTION EACH PHASE CONNEXION PAR PHASE
LV/BT	480Y/277V (60HZ) 36.1A		kVA	30.0
	380Y/219V (50/60HZ) 36.1A		TYPE	QT
BIL	-		Cooling Refroidissement	ANC
			Temp. Rise Echauffement	115 °C
TERM. BORNES	X0 X1 X2 X3		Temp. Class Classe de Temp.	180 °C
			Frequency Fréquence	60 Hz
			Impédance % @ 135 °C	0.8
			Encl. Type Type de boîtier	3R
			Wt Poids	130 lbs
			Winding Enroulement	COPPER



RATED KVA AT 50/60HZ:24KVA
VOLTAGES SHOWN ARE FOR 3 PHASE, 4 WIRE SYSTEMS. NEUTRAL AND GROUND CONNECTIONS SHOULD BE MADE IN ACCORDANCE WITH LOCAL ELECTRICAL CODE AND STANDARDS REQUIREMENTS

D003303b1

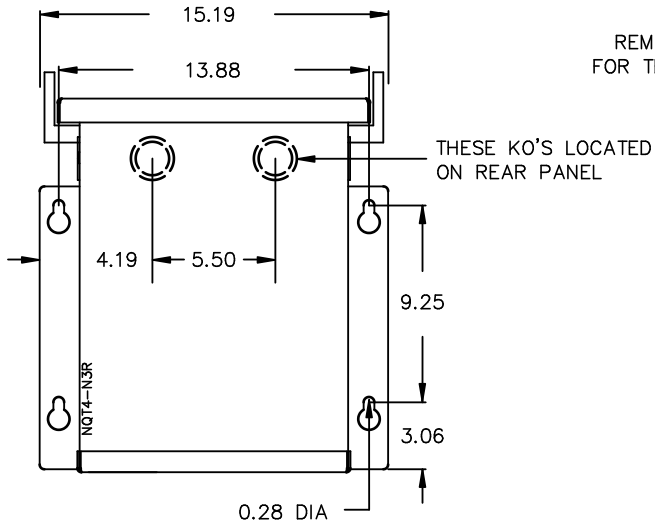


TITLE: 3 PH AUTO-TRANSFORMER NAMEPLATE INFORMATION				
1	17/01/27	LC	CHANGE REDESIGN HCN 64934	DES: WWONG
NO.	DATE	BY	REVISION	SCALE: NTS

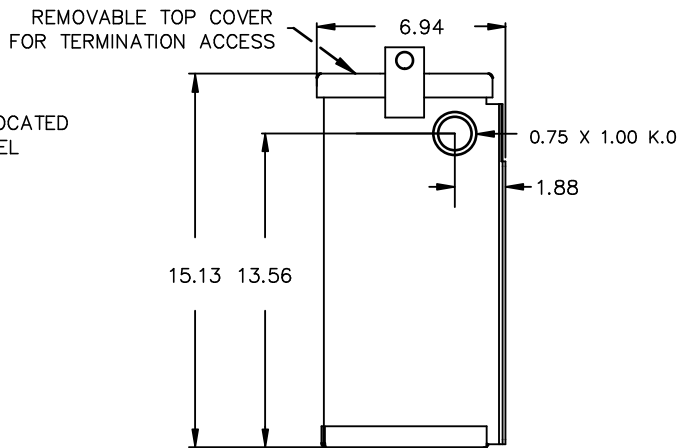
SHEET 1 OF 2
EDB Y030PKCF3L0U

1.0 httpd 2026/04/03 09:40 THIS DRAWING CONTAINS STRICTLY CONFIDENTIAL INFORMATION BELONGING TO HAMMOND POWER SOLUTIONS AND MUST NOT BE DISTRIBUTED OUTSIDE AUTHORIZED PARTIES.

FRONT VIEW



SIDE VIEW



All Dimensions in inches

ENCLOSURE COLOR :ANSI 61 GREY – OUTDOOR

CUSTOMER NOTES:



TITLE:		3 PH AUTO-TRANSFORMER		
1	17/01/27	LC	CHANGE REDESIGN HCN 64934	DES: WWONG
				DATE: 17/01/26
NO.	DATE	BY	REVISION	SCALE: NTS

SHEET 2 OF 2

EDB Y030PKCF 310U

1.0 httpd 2026/04/03 09:40

THIS DRAWING CONTAINS STRICTLY CONFIDENTIAL INFORMATION BELONGING TO HAMMOND POWER SOLUTIONS AND MUST NOT BE DISTRIBUTED OUTSIDE AUTHORIZED PARTIES.