



LR 3902

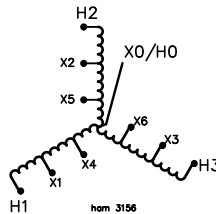
GENERAL PURPOSE TRANSFORMER 252L E50394

LISTED

GUELPH, ONT. BARABOO, WI COMPTON, CA MONTERREY, MX

THREE PHASE DRY TYPE AUTOTRANSFORMER
AUTOTRANSFORMATEUR SEC TRIPHASÉ

HV/HT	240Y/139V		72.2A	Cust. Ref. Réf. du client	
BIL	-			Serial No. No. de série	
TERM. BORNES	H0 H1 H2 H3			Part No. No. de pièce	Y030CECF3L0U
	VOLTS	CURRENT COURANT	% RATED VOLTAGE % TENSION NOMINALE	CONNECTION EACH PHASE CONNEXION PAR PHASE	kVA
	208Y/120V 216Y/125V	83.3 80.2		X0 X4-X5-X6 X0 X1-X2-X3	30.0
				TYPE	QT
				Cooling Refroidissement	ANC
				Temp. Rise Echauffement	115 °C
				Temp. Class Classe de Temp.	180 °C
				Frequency Fréquence	60 Hz
				Impédance % @ 135 °C	
LV/BT	216Y/125V 208Y/120V			Encl. Type Type de boîtier	3R
BIL	-			Wt Poids	115 lbs
TERM. BORNES	X0 X1 X2 X3 X4 X5 X6			Winding Enroulement	COPPER



VOLTAGES SHOWN ARE FOR 3 PHASE, 4 WIRE SYSTEMS. NEUTRAL AND GROUND CONNECTIONS SHOULD BE MADE IN ACCORDANCE WITH LOCAL ELECTRICAL CODE AND STANDARDS REQUIREMENTS

D003303b1



THIS DRAWING CONTAINS STRICTLY CONFIDENTIAL INFORMATION BELONGING TO HAMMOND POWER SOLUTIONS AND MUST NOT BE DISTRIBUTED OUTSIDE AUTHORIZED PARTIES.



TITLE: 3 PH ENCAPSULATED AUTO TRANSFORMER
NAMEPLATE INFORMATION

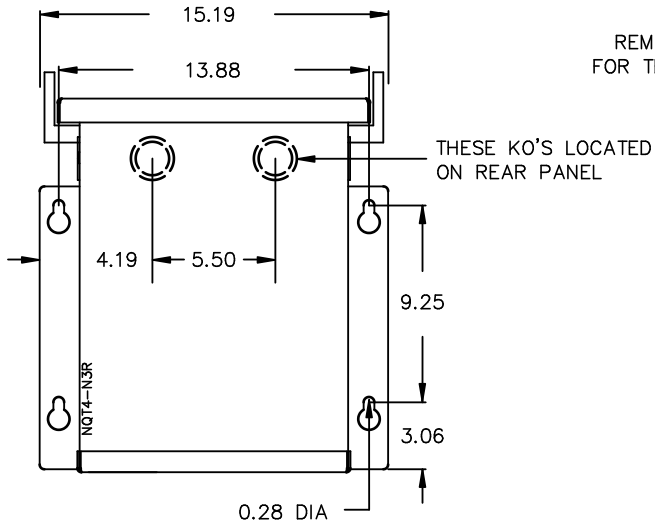
DES:	LCEN		
DATE:	16/02/18		
SCALE:	NTS		
NO.	DATE	BY	REVISION

SHEET 1 OF 2

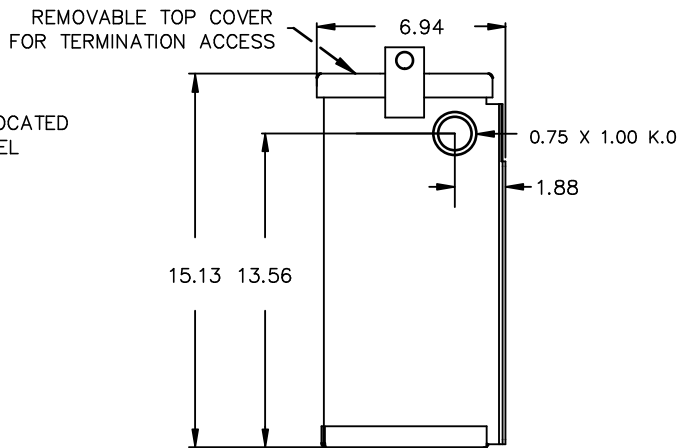
EDB Y030CECF3L0U

0.1 httpd 2026/06/13 21:01

FRONT VIEW



SIDE VIEW



All Dimensions in inches

ENCLOSURE COLOR :ANSI 61 GREY – OUTDOOR

CUSTOMER NOTES:

THIS DRAWING CONTAINS STRICTLY CONFIDENTIAL INFORMATION BELONGING TO HAMMOND POWER SOLUTIONS AND MUST NOT BE DISTRIBUTED OUTSIDE AUTHORIZED PARTIES.



TITLE: 3 PH ENCAPSULATED AUTO TRANSFORMER

				DES: LCEN
				DATE: 16/02/18
NO.	DATE	BY	REVISION	SCALE: NTS

SHEET 2 OF 2

EDB Y030CECF 3100

0.1 htpd 2026/06/13 21:01