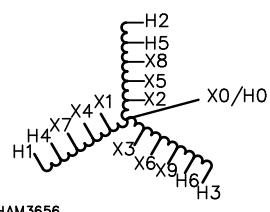




GUELPH, ONT. BARABOO, WI COMPTON, CA MONTERREY, MX

THREE PHASE DRY TYPE AUTOTRANSFORMER
AUTOTRANSFORMATEUR SEC TRIPHASE

HV/HT	600Y/346V 480Y/277V			Cust. Ref. Réf. du client	
BIL	-			Serial No. No. de série	
TERM. BORNES	H0 H1 H2 H3 H4 H5 H6			Part No. No. de pièce	Y015QTCF3LOU
	VOLTS	CURRENT COURANT	% RATED VOLTAGE % TENSION NOMINALE	CONNECTION EACH PHASE CONNEXION PAR PHASE	kVA
	600Y/346V 480Y/277V	14.4 18.0		H0 H1-H2-H3 H0 H4-H5-H6	15
	400Y/231V 240Y/139V 208Y/120V	21.7 36.1 41.6		X0 X7-X8-X9 X0 X4-X5-X6 X0 X1-X2-X3	TYPE QT
LV/BT	208Y/120V 240Y/139V 400Y/231V			Cooling Refroidissement	ANC
BIL	-			Temp. Rise Echauffement	115 °C
TERM. BORNES	X0 X1 X2 X3 X4 X5 X6 X7 X8 X9			Temp. Class Classe de Temp.	180 °C
				Frequency Fréquence	60 Hz
				Impédance % @ 135 °C	2.0
				Encl. Type Type de boîtier	3R
				Wt Poids	170 lbs
				Winding Enroulement	COPPER



VOLTAGES SHOWN ARE FOR 3 PHASE, 4 WIRE SYSTEMS. NEUTRAL AND GROUND CONNECTIONS SHOULD BE MADE IN ACCORDANCE WITH LOCAL ELECTRICAL CODE AND STANDARDS REQUIREMENTS



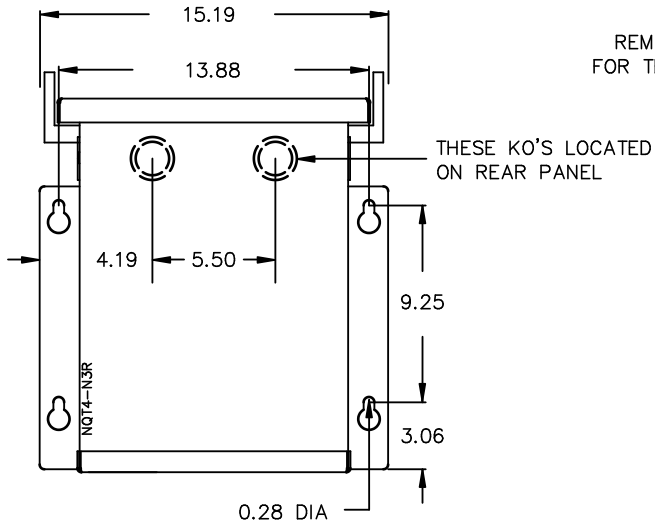
TITLE: 3 PH ENCAPSULATED AUTO TRANSFORMER
NAMEPLATE INFORMATION

DES:	RBHATIA		
DATE:	10/07/08		
SCALE:	NTS		
NO.	DATE	BY	REVISION

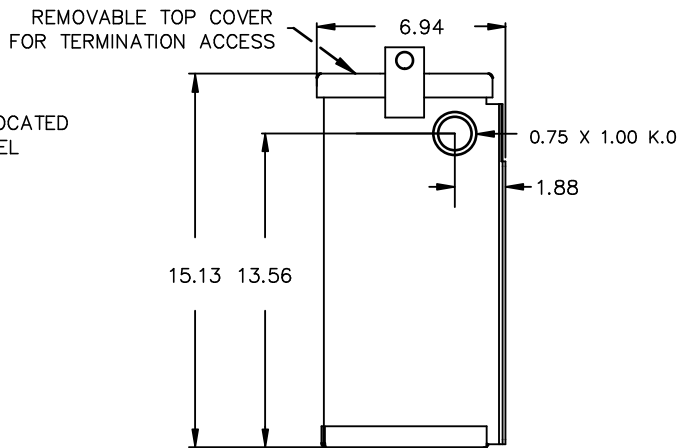
SHEET 1 OF 2
EDB Y015QTCF3LOU

THIS DRAWING CONTAINS STRICTLY CONFIDENTIAL INFORMATION BELONGING TO HAMMOND POWER SOLUTIONS AND MUST NOT BE DISTRIBUTED OUTSIDE AUTHORIZED PARTIES.

FRONT VIEW



SIDE VIEW



All Dimensions in inches

ENCLOSURE COLOR :ANSI 61 GREY – OUTDOOR

CUSTOMER NOTES:



TITLE: 3 PH ENCAPSULATED AUTO TRANSFORMER

				DES: RBHATIA
				DATE: 10/07/08
NO.	DATE	BY	REVISION	SCALE: NTS

SHEET 2 OF 2

EDB Y0150TCTCF3L0U