



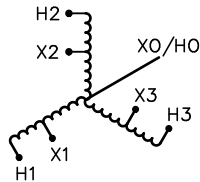
GUELPH, ONT. BARABOO, WI COMPTON, CA MONTERREY, MX

THREE PHASE DRY TYPE AUTOTRANSFORMER
AUTOTRANSFORMATEUR SEC TRIPHASE

HV/HT	600Y/346V (60HZ) 14.4A		Cust. Ref. Réf. du client			
	480Y/277V (50/60HZ) 14.4A			Serial No. No. de série		
BIL	-			Part No. No. de pièce	Y015PKCB3LOU	
TERM. BORNES	H0	H1	H2	H3	kVA	15.0
	VOLTS	CURRENT COURANT	% RATED VOLTAGE % TENSION NOMINALE	CONNECTION EACH PHASE CONNEXION PAR PHASE	TYPE	QT
					Cooling Refroidissement	ANC
					Temp. Rise Echauffement	80 °C
					Temp. Class Classe de Temp.	130 °C
					Frequency Fréquence	60 Hz
					Impédance % ⊙ °C	
					Encl. Type Type de boîtier	3R
LV/BT	480Y/277V (60HZ) 18.0A		Wt Poids lbs/kg	60/28		
	380Y/219V (50/60HZ) 18.0A					
BIL	-			Winding Enroulement	COPPER	
TERM. BORNES	X0	X1	X2	X3		

RATED KVA AT 50/60HZ: 12KVA

VOLTAGES SHOWN ARE FOR 3 PHASE, 4 WIRE SYSTEMS. NEUTRAL AND GROUND CONNECTIONS SHOULD BE MADE IN ACCORDANCE WITH LOCAL ELECTRICAL CODE AND STANDARDS REQUIREMENTS



D003303b1



THIS DRAWING CONTAINS STRICTLY CONFIDENTIAL INFORMATION BELONGING TO HAMMOND POWER SOLUTIONS AND MUST NOT BE DISTRIBUTED OUTSIDE AUTHORIZED PARTIES.



TITLE: 3 PH ENCAPSULATED AUTO TRANSFORMER
NAMEPLATE INFORMATION

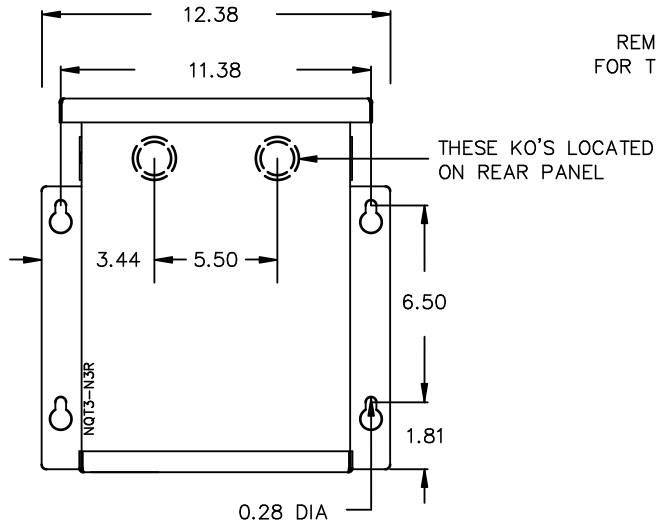
3	25/01/28	LC	CHANGED WEIGHT	DES: LCEN
2	20/10/13	LC	CHANGED NPL VER:	DATE: 13/01/31
NO.	DATE	BY	REVISION	SCALE: NTS

SHEET 1 OF 2

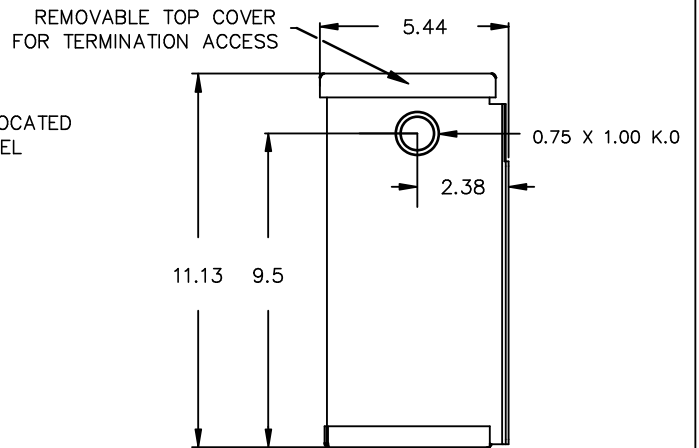
EDB Y015PKCB3LOU

3.0 httpd 2026/06/22 21:13

FRONT VIEW



SIDE VIEW



All Dimensions in inches

ENCLOSURE COLOR : ANSI 61 GREY – OUTDOOR

CUSTOMER NOTES:

- HV1 TERMINATED AT LEADS
- LV1 TERMINATED AT LEADS
- ..



TITLE: 3 PH ENCAPSULATED AUTO TRANSFORMER

3	25/01/28	LC	CHANGED WEIGHT	DES: LCEN
2	20/10/13	LC	CHANGED NPL VER:	DATE: 13/01/31
NO.	DATE	BY	REVISION	SCALE: NTS

SHEET 2 OF 2

EDB Y015PKCB310U