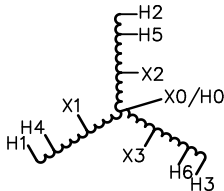




GUELPH, ONT. BARABOO, WI COMPTON, CA MONTERREY, MX

THREE PHASE DRY TYPE AUTOTRANSFORMER
AUTOTRANSFORMATEUR SEC TRIPHASÉ

HV/HT	240Y/139V 216Y/125V			Cust. Ref. Réf. du client						
BIL	-			Serial No. No. de série						
TERM. BORNES	H0	H1	H2	H3	H4	H5	H6	Part No. No. de pièce	Y015CECB3L0U	
	VOLTS	CURRENT COURANT	% RATED VOLTAGE % TENSION NOMINALE	CONNECTION EACH PHASE CONNEXION PAR PHASE		kVA	15		TYPE	QT
	240Y/139V 216Y/125V	36.1 40.1		H0 H1-H2-H3 H0 H4-H5-H6		Cooling Refroidissement	ANC		Temp. Rise Echauffement	80 °C
						Temp. Class Classe de Temp.	130 °C		Frequency Fréquence	60 Hz
LV/BT	208Y/120V			41.6A		Impédance % @ 100 °C	2.3		Encl. Type Type de boîtier	3R
BIL	-					Wt Poids	67		Winding Enroulement	COPPER
TERM. BORNES	X0	X1	X2	X3						



VOLTAGES SHOWN ARE FOR 3 PHASE, 4 WIRE SYSTEMS. NEUTRAL AND GROUND CONNECTIONS SHOULD BE MADE IN ACCORDANCE WITH LOCAL ELECTRICAL CODE AND STANDARDS REQUIREMENTS

D003303b1

HAM3598A



THIS DRAWING CONTAINS STRICTLY CONFIDENTIAL INFORMATION BELONGING TO HAMMOND POWER SOLUTIONS AND MUST NOT BE DISTRIBUTED OUTSIDE AUTHORIZED PARTIES.



TITLE: 3 PH ENCAPSULATED AUTO TRANSFORMER
NAMEPLATE INFORMATION

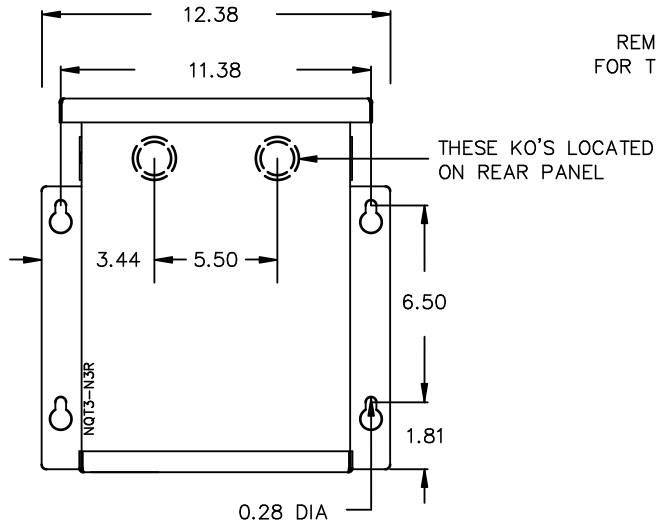
DES:	LCEN		
DATE:	13/02/11		
SCALE:	NTS		
NO.	DATE	BY	REVISION

SHEET 1 OF 2

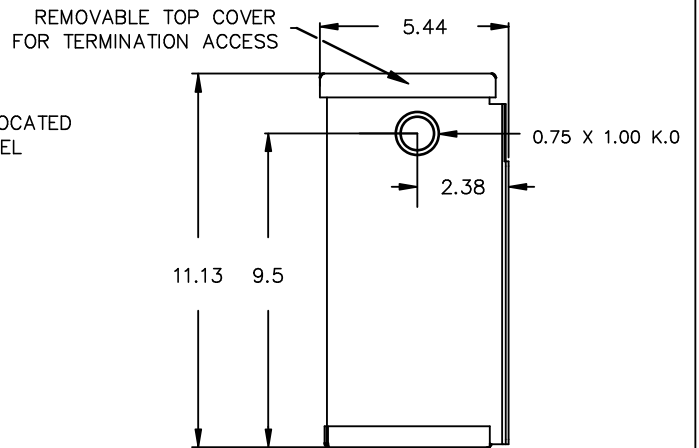
EDB Y015CECB3L0U

0.5 httpd 2026/04/04 01:55

FRONT VIEW



SIDE VIEW



All Dimensions in inches

ENCLOSURE COLOR : ANSI 61 GREY – OUTDOOR

CUSTOMER NOTES:

THIS DRAWING CONTAINS STRICTLY CONFIDENTIAL INFORMATION BELONGING TO HAMMOND POWER SOLUTIONS AND MUST NOT BE DISTRIBUTED OUTSIDE AUTHORIZED PARTIES.



TITLE: 3 PH ENCAPSULATED AUTO TRANSFORMER

DES:	LCEN
DATE:	13/02/11
SCALE:	NTS

NO.	DATE	BY	REVISION

SHEET 2 OF 2

EDB Y0156CECB310U

0.5 httpd 2026/04/04 01:55