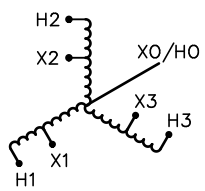




GUELPH, ONT. BARABOO, WI COMPTON, CA MONTERREY, MX

THREE PHASE DRY TYPE AUTOTRANSFORMER
AUTOTRANSFORMATEUR SEC TRIPHASE

HV/HT	600Y/346V (60HZ) 8.7A		8.7A		Cust. Ref.		
	480Y/277V (50/60HZ)		8.7A		Réf. du client		
BIL	-					Serial No.	
TERM. BORNES	H0 H1 H2 H3				No. de série		
	VOLTS	CURRENT COURANT	% RATED VOLTAGE % TENSION NOMINALE	CONNECTION EACH PHASE CONNEXION PAR PHASE	Part No.	Y009PKCB3LOU	
					No. de pièce		
					kVA	9.0	
					TYPE	QT	
					Cooling Refroidissement	ANC	
					Temp. Rise Echauffement	80 °C	
					Temp. Class Classe de Temp.	130 °C	
					Frequency Fréquence	60 Hz	
					Impédance %		
					Encl. Type Type de boîtier	3R	
					Wt lbs/kg Poids	49/23	
					Winding Enroulement	COPPER	
LV/BT	480Y/277V (60HZ)		10.8A				
	380Y/219V (50/60HZ)		10.8A				
BIL	-						
TERM. BORNES	X0 X1 X2 X3						



RATED KVA AT 50/60HZ: 7.2KVA
VOLTAGES SHOWN ARE FOR 3 PHASE, 4 WIRE SYSTEMS. NEUTRAL AND GROUND CONNECTIONS SHOULD BE MADE IN ACCORDANCE WITH LOCAL ELECTRICAL CODE AND STANDARDS REQUIREMENTS

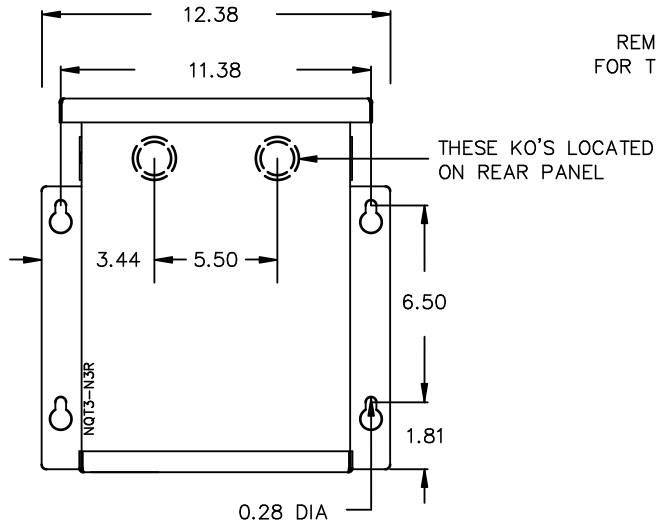


TITLE: 3 PH ENCAPSULATED AUTO TRANSFORMER
NAMEPLATE INFORMATION

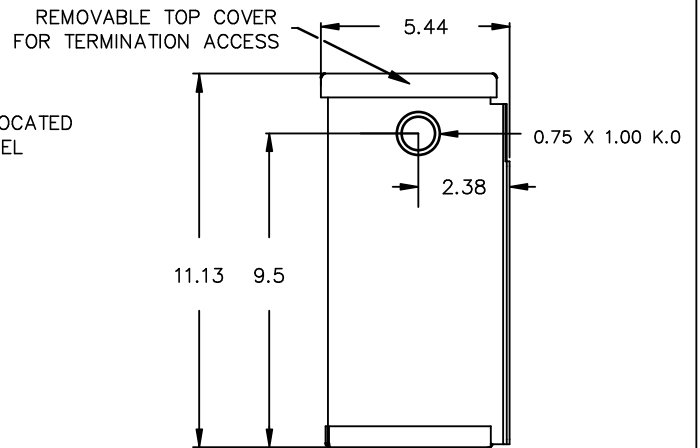
NO.	DATE	BY	REVISION	DES: MCHRISTM
				DATE: 10/08/25
				SCALE: NTS

SHEET 1 OF 2
EDB Y009PKCB3LOU

FRONT VIEW



SIDE VIEW



All Dimensions in inches

ENCLOSURE COLOR : ANSI 61 GREY – OUTDOOR

H.V.1. TERMINAL DETAIL

L.V.1. TERMINAL DETAIL

#14 AWG STRANDED COPPER
WIRE LEADS

#14 AWG STRANDED COPPER
WIRE LEADS

CUSTOMER NOTES:

- HV1 TERMINATED AT TOP REAR
- LV1 TERMINATED AT TOP FRONT



TITLE: 3 PH ENCAPSULATED AUTO TRANSFORMER

				DES: MCHRSTM
				DATE: 10/08/25
NO.	DATE	BY	REVISION	SCALE: NTS

SHEET 2 OF 2

EDB Y009PKCB310U