

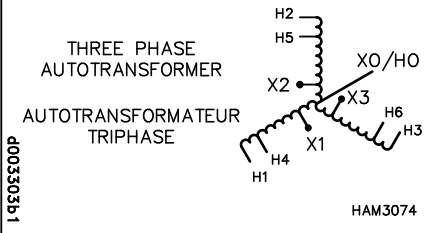


LR 3902
GENERAL PURPOSE TRANSFORMER 252L E50394

GUELPH, ONT. BARABOO, WI COMPTON, CA MONTERREY, MX

THREE PHASE DRY TYPE AUTOTRANSFORMER
AUTOTRANSFORMATEUR SEC TRIPHASE

HV/HT	240Y/139V 216Y/125V			Cust. Ref. Réf. du client						
BIL	-			Serial No. No. de série						
TERM. BORNES	H0	H1	H2	H3	H4	H5	H6	Part No. No. de pièce	Y009CECB3L0U	
	VOLTS	CURRENT COURANT	% RATED VOLTAGE % TENSION NOMINALE	CONNECTION EACH PHASE CONNEXION PAR PHASE		kVA	9.0	TYPE	QT	
	240Y/139V 216Y/125V	21.7 24.1		H0 H1-H2-H3 H0 H4-H5-H6		Cooling Refroidissement	ANC	Temp. Rise Echauffement	80 °C	
LV/BT	208Y/120V			25A	Impédance % @ 100 °C	2.3	Temp. Class Classe de Temp.	130 °C	Frequency Fréquence	60 Hz
BIL	-			Encl. Type Type de boîtier	3R	Wt Poids	49	Winding Enroulement	COPPER	
TERM. BORNES	X0	X1	X2	X3						



VOLTAGES SHOWN ARE FOR 3 PHASE, 4 WIRE SYSTEMS. NEUTRAL AND GROUND CONNECTIONS SHOULD BE MADE IN ACCORDANCE WITH LOCAL ELECTRICAL CODE AND STANDARDS REQUIREMENTS



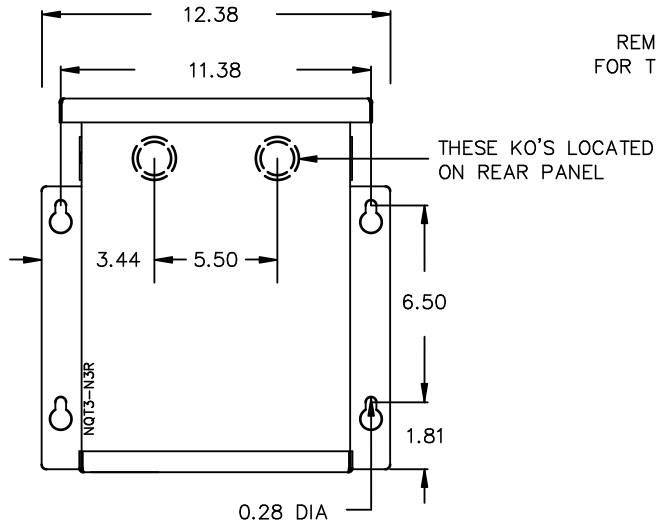
TITLE: 3 PH ENCAPSULATED AUTO TRANSFORMER
NAMEPLATE INFORMATION

DES:	WWONG		
DATE:	16/08/10		
SCALE:	NTS		
NO.	DATE	BY	REVISION

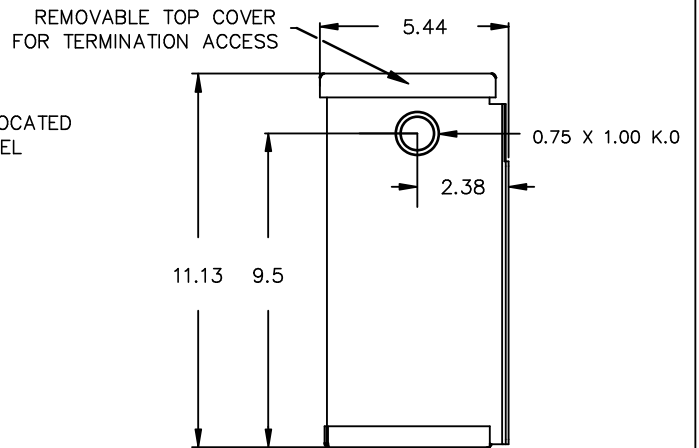
SHEET 1 OF 2
EDB Y009CECB3L0U

THIS DRAWING CONTAINS STRICTLY CONFIDENTIAL INFORMATION BELONGING TO HAMMOND POWER SOLUTIONS AND MUST NOT BE DISTRIBUTED OUTSIDE AUTHORIZED PARTIES.

FRONT VIEW



SIDE VIEW



All Dimensions in inches

ENCLOSURE COLOR : ANSI 61 GREY – OUTDOOR

CUSTOMER NOTES:

THIS DRAWING CONTAINS STRICTLY CONFIDENTIAL INFORMATION BELONGING TO HAMMOND POWER SOLUTIONS AND MUST NOT BE DISTRIBUTED OUTSIDE AUTHORIZED PARTIES.



TITLE: 3 PH ENCAPSULATED AUTO TRANSFORMER

DES:	WWONG
DATE:	16/08/10
SCALE:	NTS

NO.	DATE	BY	REVISION

SHEET 2 OF 2

EDB Y009CECB310U

0.0 httpd 2026/06/14 21:06