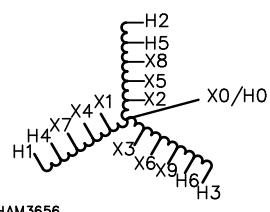




GUELPH, ONT. BARABOO, WI COMPTON, CA MONTERREY, MX

THREE PHASE DRY TYPE AUTOTRANSFORMER
AUTOTRANSFORMATEUR SEC TRIPHASE

HV/HT	600Y/346V 480Y/277V				Cust. Ref. Réf. du client					
BIL	-				Serial No. No. de série					
TERM. BORNES	H0	H1	H2	H3	H4	H5	H6	Part No. No. de pièce	Y006QTCB3LOU	
	VOLTS	CURRENT COURANT	% RATED VOLTAGE % TENSION NOMINALE	CONNECTION EACH PHASE CONNEXION PAR PHASE		kVA	6	TYPE	QT	
	600Y/346V 480Y/277V	5.8 7.2		H0 H1-H2-H3 H0 H4-H5-H6		Cooling Refroidissement	ANC	Temp. Rise Echauffement	80 °C	
	400Y/231V 240Y/139V 208Y/120V	8.6 14.4 16.6		X0 X7-X8-X9 X0 X4-X5-X6 X0 X1-X2-X3		Temp. Class Classe de Temp.	130 °C	Frequency Fréquence	60 Hz	
LV/BT	208Y/120V		240Y/139V		400Y/231V		Impédance % @ 100 °C	2.3	Encl. Type Type de boîtier	3R
BIL	-				Wt Poids	lbs/kg	60/28	Winding Enroulement	COPPER	
TERM. BORNES	X0	X1	X2	X3	X4	X5	X6	X7	X8	X9



VOLTAGES SHOWN ARE FOR 3 PHASE, 4 WIRE SYSTEMS. NEUTRAL AND GROUND CONNECTIONS SHOULD BE MADE IN ACCORDANCE WITH LOCAL ELECTRICAL CODE AND STANDARDS REQUIREMENTS



THIS DRAWING CONTAINS STRICTLY CONFIDENTIAL INFORMATION BELONGING TO HAMMOND POWER SOLUTIONS AND MUST NOT BE DISTRIBUTED OUTSIDE AUTHORIZED PARTIES.

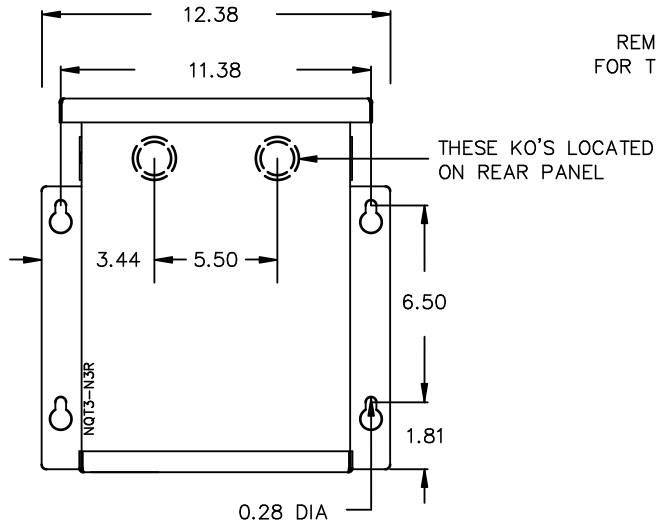


TITLE: 3 PH ENCAPSULATED AUTO TRANSFORMER
NAMEPLATE INFORMATION

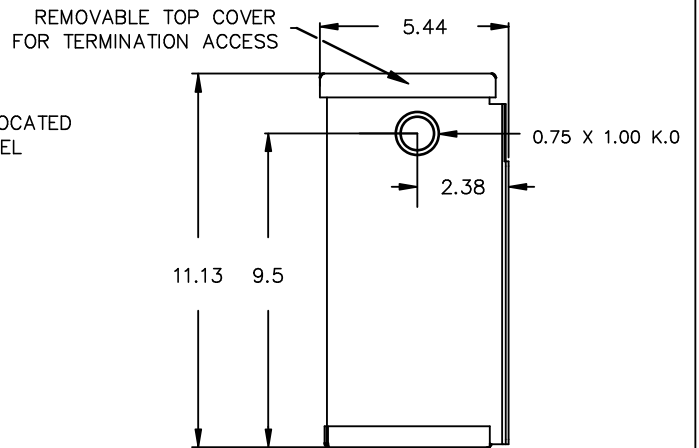
1	25/01/28	LC	CHANGED WEIGHT	DES: LCEN
NO.	DATE	BY	REVISION	SCALE: NTS

SHEET 1 OF 2
EDB Y006QTCB3LOU

FRONT VIEW



SIDE VIEW



All Dimensions in inches

ENCLOSURE COLOR : ANSI 61 GREY – OUTDOOR

CUSTOMER NOTES:

- HV1 TERMINATED AT LEADS
- LV1 TERMINATED AT LEADS



TITLE: 3 PH ENCAPSULATED AUTO TRANSFORMER

1	25/01/28	LC	CHANGED WEIGHT	DES: LCEN
NO.	DATE	BY	REVISION	SCALE: NTS

SHEET 2 OF 2

EDB Y006QTCB3LOU