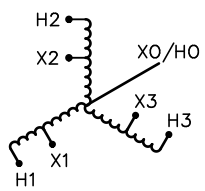




GUELPH, ONT. BARABOO, WI COMPTON, CA MONTERREY, MX

THREE PHASE DRY TYPE AUTOTRANSFORMER
AUTOTRANSFORMATEUR SEC TRIPHASE

HV/HT	600Y/346V (60HZ) 5.8A		Cust. Ref.		
	480Y/277V (50/60HZ) 5.8A		Réf. du client		
BIL	-				Serial No.
TERM. BORNES	H0 H1 H2 H3				No. de série
	VOLTS	CURRENT COURANT	% RATED VOLTAGE % TENSION NOMINALE	CONNECTION EACH PHASE CONNEXION PAR PHASE	Part No. Y006PKCB3LOU
					No. de pièce
					kVA 6.0
					TYPE QT
					Cooling Refroidissement ANC
					Temp. Rise Echauffement 80 °C
					Temp. Class Classe de Temp. 130 °C
					Frequency Fréquence 60 Hz
					Impédance % @ 100 °C 1.59
LV/BT	480Y/277V (60HZ) 7.2A		Encl. Type		3R
	380Y/219V (50/60HZ) 7.2A		Type de boîtier		
BIL	-				Wt lbs/kg 30/14
TERM. BORNES	X0 X1 X2 X3				Winding Enroulement COPPER



D003303b1

RATED KVA AT 50/60HZ:4.8KVA
VOLTAGES SHOWN ARE FOR 3 PHASE, 4 WIRE SYSTEMS. NEUTRAL AND GROUND CONNECTIONS SHOULD BE MADE IN ACCORDANCE WITH LOCAL ELECTRICAL CODE AND STANDARDS REQUIREMENTS



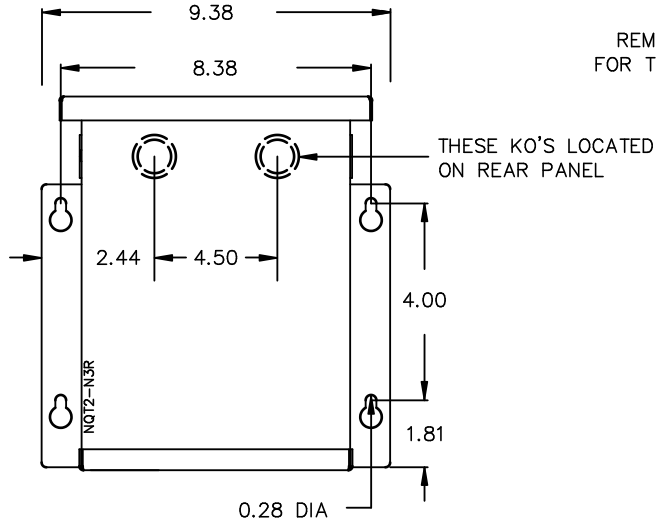
TITLE: 3 PH ENCAPSULATED AUTO-TRANSFORMER					SHEET 1 OF 2
NAMEPLATE INFORMATION					
2	24/05/22	LC	CHANGED NPL VER:	DES: LCEN	
1	16/05/24	LC	CHANGED ALTERNATE RATING	DATE: 12/09/07	
NO.	DATE	BY	REVISION	SCALE: NTS	

EDB Y006PKCB3LOU

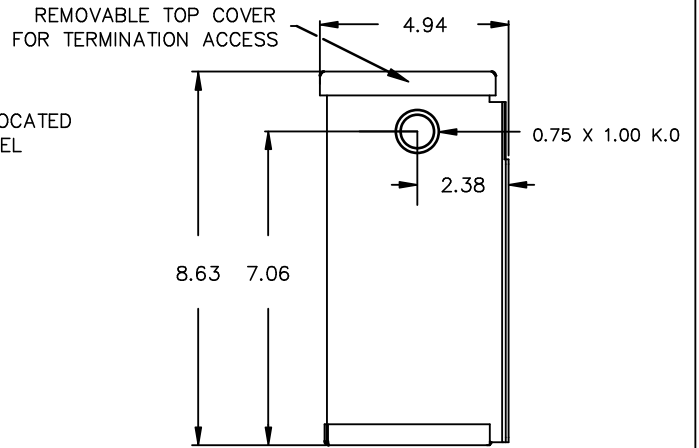
THIS DRAWING CONTAINS STRICTLY CONFIDENTIAL INFORMATION BELONGING TO HAMMOND POWER SOLUTIONS AND MUST NOT BE DISTRIBUTED OUTSIDE AUTHORIZED PARTIES.

2.0 httpd 2026/05/13 09:41

FRONT VIEW



SIDE VIEW



All Dimensions in inches

ENCLOSURE COLOR : ANSI 61 GREY – OUTDOOR

CUSTOMER NOTES:

- HV1 TERMINATED AT LEADS
- LV1 TERMINATED AT LEADS
- ..

THIS DRAWING CONTAINS STRICTLY CONFIDENTIAL INFORMATION BELONGING TO HAMMOND POWER SOLUTIONS AND MUST NOT BE DISTRIBUTED OUTSIDE AUTHORIZED PARTIES.



TITLE: 3 PH ENCAPSULATED AUTO-TRANSFORMER

2	24/05/22	LC	CHANGED NPL VER:	DES: LCEN
1	16/05/24	LC	CHANGED ALTERNATE RATING	DATE: 12/09/07
NO.	DATE	BY	REVISION	SCALE: NTS

SHEET 2 OF 2

EDB Y006PKCB310U

2.0 httpd 2026/05/13 09:41