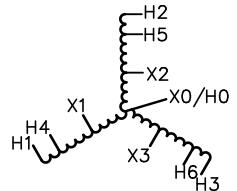




GUELPH, ONT. BARABOO, WI COMPTON, CA MONTERREY, MX

THREE PHASE DRY TYPE AUTOTRANSFORMER  
AUTOTRANSFORMATEUR SEC TRIPHASÉ

HV/HT	240Y/139V 216Y/125V			Cust. Ref. Réf. du client	
BIL	-			Serial No. No. de série	
TERM. BORNES	H0 H1 H2 H3 H4 H5 H6			Part No. No. de pièce	Y006CECB3LOU
	VOLTS	CURRENT COURANT	% RATED VOLTAGE % TENSION NOMINALE	CONNECTION EACH PHASE CONNEXION PAR PHASE	kVA
	240Y/124V 216Y/125V	14.4 16.0		H0 H1-H2-H3 H0 H4-H5-H6	6.0
LV/BT	208Y/120V 16.6A			TYPE	QT
BIL	-			Cooling Refroidissement	ANC
TERM. BORNES	X0 X1 X2 X3			Temp. Rise Echauffement	80 °C
				Temp. Class Classe de Temp.	130 °C
				Frequency Fréquence	60 Hz
				Impédance % @ 100 °C	2.3
				Encl. Type Type de boîtier	3R
				Wt Poids	28 lbs
				Winding Enroulement	COPPER



VOLTAGES SHOWN ARE FOR 3 PHASE, 4 WIRE SYSTEMS. NEUTRAL AND GROUND CONNECTIONS SHOULD BE MADE IN ACCORDANCE WITH LOCAL ELECTRICAL CODE AND STANDARDS REQUIREMENTS

D003303b1

HAM3598A



THIS DRAWING CONTAINS STRICTLY CONFIDENTIAL INFORMATION BELONGING TO HAMMOND POWER SOLUTIONS AND MUST NOT BE DISTRIBUTED OUTSIDE AUTHORIZED PARTIES.



TITLE: 3 PH ENCAPSULATED AUTO-TRANSFORMER  
NAMEPLATE INFORMATION

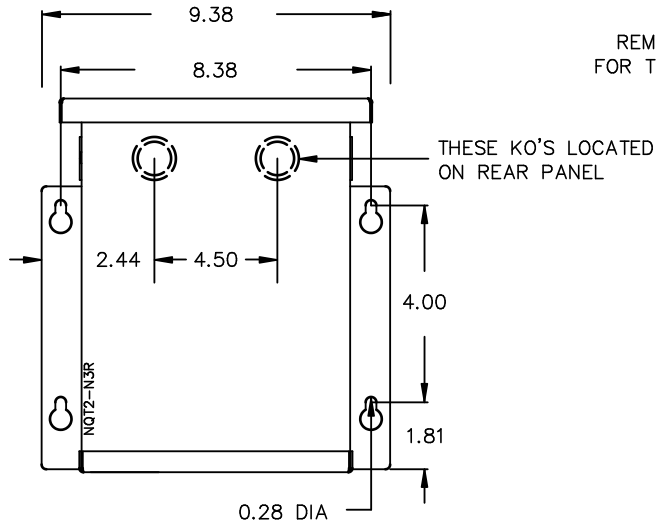
DES:	MESSAM		
DATE:	13/04/03		
SCALE:	NTS		
NO.	DATE	BY	REVISION

SHEET 1 OF 2

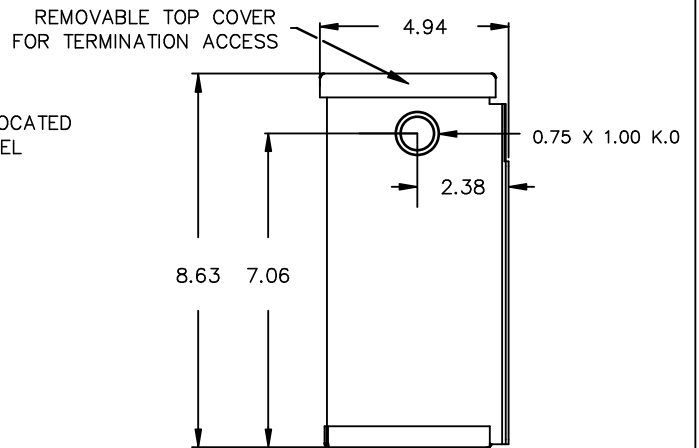
EDB Y006CECB3LOU

0.3 httpd 2026/05/24 12:16

FRONT VIEW



SIDE VIEW



All Dimensions in inches

ENCLOSURE COLOR : ANSI 61 GREY – OUTDOOR

CUSTOMER NOTES:

- HV1 TERMINATED AT LEADS
- LV1 TERMINATED AT LEADS

THIS DRAWING CONTAINS STRICTLY CONFIDENTIAL INFORMATION BELONGING TO HAMMOND POWER SOLUTIONS AND MUST NOT BE DISTRIBUTED OUTSIDE AUTHORIZED PARTIES.



TITLE: 3 PH ENCAPSULATED AUTO-TRANSFORMER

				DES: MESSAM
				DATE: 13/04/03
NO.	DATE	BY	REVISION	SCALE: NTS

SHEET 2 OF 2

EDB Y006CECB310U

0.3 htpd 2026/05/24 12:16