



SP® LR 3902

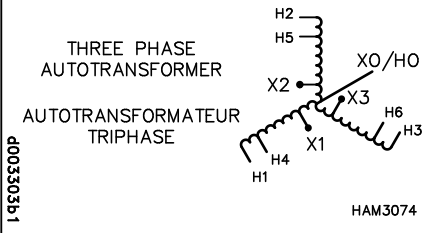
UL GENERAL PURPOSE TRANSFORMER 252L E50394

LISTED

GUELPH, ONT. BARABOO, WI COMPTON, CA MONTERREY, MX

THREE PHASE DRY TYPE AUTOTRANSFORMER  
AUTOTRANSFORMATEUR SEC TRIPHASE

HV/HT	240Y/139V 216Y/125V			Cust. Ref. Réf. du client	
BIL	-			Serial No. No. de série	
TERM. BORNES	H0	H1	H2 H3 H4 H5 H6	Part No. No. de pièce	Y003CECB3L0U
	VOLTS	CURRENT COURANT	% RATED VOLTAGE % TENSION NOMINALE	CONNECTION EACH PHASE CONNEXION PAR PHASE	kVA
	240Y/139V 216Y/125V	7.2 8.0		H0 H1-H2-H3 H0 H4-H5-H6	3.0
LV/BT	208Y/120V 8.3A			TYPE	QT
BIL	-			Cooling Refroidissement	ANC
TERM. BORNES	X0	X1	X2 X3	Temp. Rise Echauffement	80 °C
				Temp. Class Classe de Temp.	130 °C
				Frequency Fréquence	60 Hz
				Impédance % @ 100 °C	2.3
				Encl. Type Type de boîtier	3R
				Wt Poids	22 lbs
				Winding Enroulement	COPPER



VOLTAGES SHOWN ARE FOR 3 PHASE, 4 WIRE SYSTEMS. NEUTRAL AND GROUND CONNECTIONS SHOULD BE MADE IN ACCORDANCE WITH LOCAL ELECTRICAL CODE AND STANDARDS REQUIREMENTS



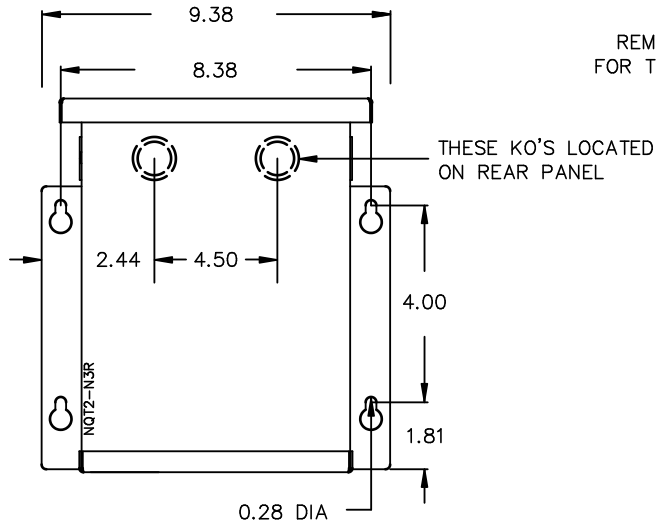
THIS DRAWING CONTAINS STRICTLY CONFIDENTIAL INFORMATION BELONGING TO HAMMOND POWER SOLUTIONS AND MUST NOT BE DISTRIBUTED OUTSIDE AUTHORIZED PARTIES.



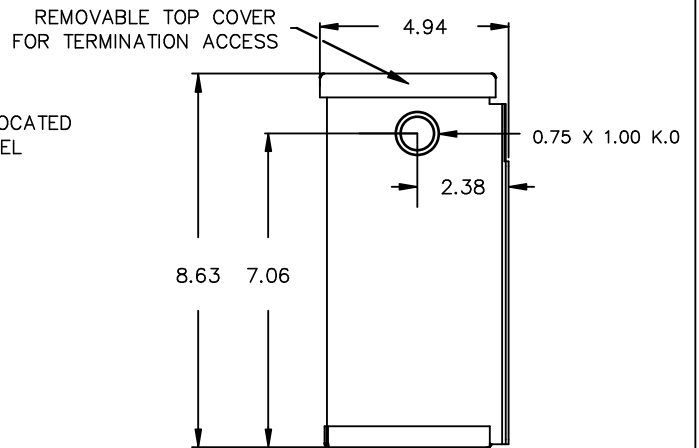
TITLE: 3 PH ENCAPSULATED AUTO-TRANSFORMER NAMEPLATE INFORMATION				
				DES: WWONG
				DATE: 16/08/10
NO.	DATE	BY	REVISION	SCALE: NTS

SHEET 1 OF 2  
EDB Y003CECB3L0U

FRONT VIEW



SIDE VIEW



All Dimensions in inches

ENCLOSURE COLOR : ANSI 61 GREY – OUTDOOR

CUSTOMER NOTES:

THIS DRAWING CONTAINS STRICTLY CONFIDENTIAL INFORMATION BELONGING TO HAMMOND POWER SOLUTIONS AND MUST NOT BE DISTRIBUTED OUTSIDE AUTHORIZED PARTIES.



TITLE: 3 PH ENCAPSULATED AUTO-TRANSFORMER

DES:	WWONG
DATE:	16/08/10
SCALE:	NTS

NO.	DATE	BY	REVISION

SHEET 2 OF 2

EDB Y003CECB310U

0.0 httpd 2026/06/25 04:36