



TITLE: 3PH DISTRIBUTION TRANSFORMER
NAMEPLATE INFORMATION

DES:	PPICASSI
DATE:	24/11/05
SCALE:	NTS

SHEET 1 OF 2

EDB TX2A0045PBKF



hammond
POWER SOLUTIONS
595 Southgate Drive
Guelph, ON, N1G 3W6

CE II 3G
DEMKO 21 ATEX 2235X
IECEx UL 21.0116X
Ex ec IIC T3 Gc

HPS Titan™ X
Dry Type Encapsulated Transformer
Transformateur de Type Sec Encapsulé
Part No. TX2A0045PBKF



Cust. Ref. Ref. du Client	Serial No. No. de Serie	
Phase	HV/HT	600V 43.3A
Type	BIL	10 kV
Cooling Refroidissement	Term Bornes	H1 H2 H3
kVA	LV/BT	208Y/120V 125A
Temp. Rise Echauffement	BIL	10 kV
Temp Class Classe Temp	Term Bornes	X0 X1 X2 X3
Winding Enroulement	CU	-25° C ≤ Tamb ≤ +40° C
Frequency Hz	60	
Impedance % @ 135° C	2.1	
Encl. Type Type de Coffrage	IP66	
Weight Poids	lbs/kg	620/282

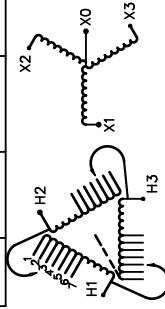
VOLTS	CURRENT COURANT	% RATED VOLTAGE % TENSION NOMINALE	CONNECTION EACH PHASE CONNECTION PAR PHASE
630	41.2	105	1
615	42.2	102.5	2
600	43.3	100	3
585	44.4	97.5	4
570	45.6	95	5
555	46.8	92.5	6
540	48.1	90	7

HAZARDOUS LOCATIONS CLASS 1, ZONE 2
GROUP IIC, T3

SPACINGS BETWEEN ANY VENTILATED ENCLOSURE PANEL AND ANY ADJACENT WALL SHALL BE A MINIMUM OF 3 INCHES ELECTROSTATIC SHIELD

WARNING / ATTENTION:
- EXPLOSION HAZARD. DO NOT DISCONNECT EQUIPMENT WHILE THE CIRCUIT IS LIVE OR UNLESS THE AREA IS FREE OF IGNITABLE CONCENTRATIONS.
- POTENTIAL ELECTROSTATIC CHARGING HAZARD. REFER TO THE INSTALLATION MANUAL.
- RISQUE D'EXPLOSION. NE PAS DERANCHER PENDANT QUE LE CIRCUIT EST SOUS TENSION OU A MOINS QUE LES CONCENTRATIONS NE SOIENT EXEMPT DE CONCENTRATIONS INFLAMMABLES.
- DANGER POTENTIEL DE CHARGE ELECTROSTATIQUE SE REFERER AU MANUEL D'INSTALLATION

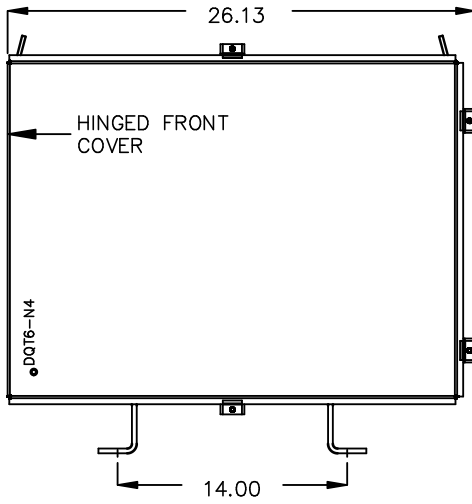
SEISMIC QUALIFICATIONS:
OSP-0136/IBC 2018/ASCE 7-16
SDS ≤ 2.0g Z/h=1 Ip=1.5



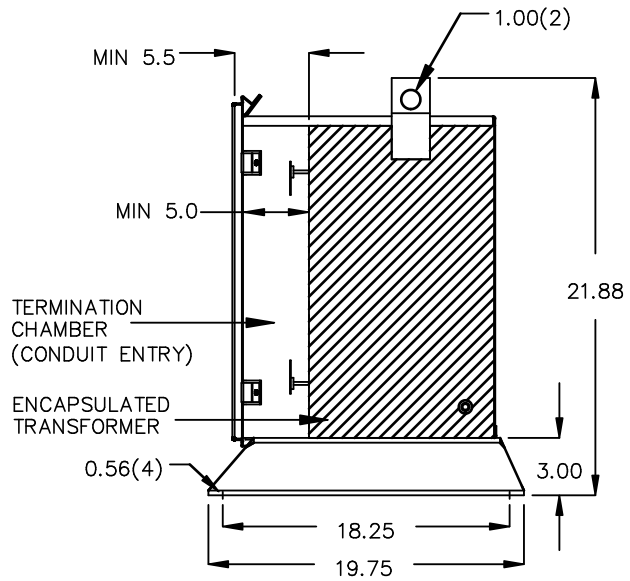
Made in Mexico

d000203bq

FRONT VIEW



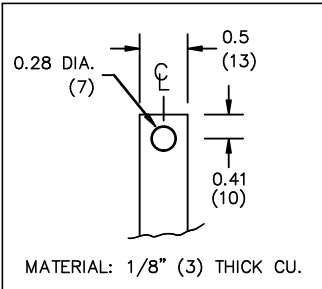
SIDE VIEW



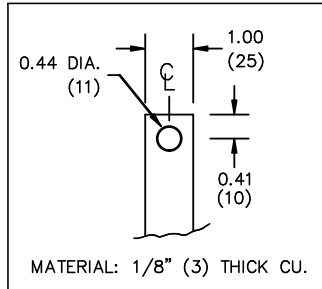
All Dimensions in inches

ENCLOSURE COLOR : ANSI 61 GREY - OUTDOOR

HV TERMINAL DETAIL



LV TERMINAL DETAIL



CUSTOMER NOTES:

- HV TERMINATED AT BOTTOM FRONT
- LV TERMINATED AT TOP FRONT



TITLE: 3PH DISTRIBUTION TRANSFORMER

DES:	PPICASSI
DATE:	24/11/05
SCALE:	NTS

NO.	DATE	BY	REVISION

SHEET 2 OF 2

EDB TX2A0045PBKF