



TITLE: 3PH DISTRIBUTION TRANSFORMER  
NAMEPLATE INFORMATION

DES:	PPICASSI
DATE:	24/01/15
SCALE:	NTS

SHEET 1 OF 2

EDB TX2A0030KHKE

0.1 httpd 2026/06/25 03:22

THIS DRAWING CONTAINS STRICTLY CONFIDENTIAL INFORMATION BELONGING TO HAMMOND POWER SOLUTIONS AND MUST NOT BE DISTRIBUTED OUTSIDE AUTHORIZED PARTIES.



**hammond**  
POWER SOLUTIONS  
595 Southgate Drive  
Guelph, ON, N1G 3W6

**HPS Titan™ X**  
Dry Type Encapsulated Transformer  
Transformateur de Type Sec Encapsulé  
Part No. TX2A0030KHKE

CE II 3G  
DEMKO 21 ATEX 2235X  
IECEx UL 21.0116X  
Ex ec IIC T3 Gc



Cust. Ref. Ref. du Client	Serial No. No. de Serie	
Phase	HV/HT	480V 36.1A
Type	BIL	10 kV
Cooling Refroidissement	Term Bornes	H1 H2 H3
kVA	LV/BT	400Y/231V 43.3A
Temp. Rise Echauffement	BIL	10 kV
Temp Class Classe Temp	Term Bornes	X0 X1 X2 X3
Winding Enroulement	CU	-25° C ≤ Tamb ≤ +40° C
Frequency Hz	60	
Impedance % @ 135° C	2.1	
Encl. Type Type de Coffrage	IP66	
Weight Poids	lbs/kg	480/218

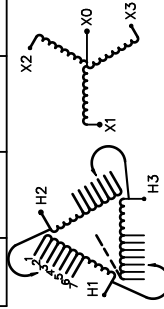
VOLTS	CURRENT COURANT	% RATED VOLTAGE % TENSION NOMINALE	CONNECTION EACH PHASE CONNECTION PAR PHASE
504	34.4	105	1
480	35.2	102.5	2
468	36.1	100	3
456	37.0	97.5	4
444	38.0	95	5
432	39.0	92.5	6
	40.1	90	7

HAZARDOUS LOCATIONS CLASS 1, ZONE 2  
GROUP IIC, T3

ELECTROSTATIC SHIELD

WARNING / ATTENTION:  
- EXPLOSION HAZARD. DO NOT DISCONNECT EQUIPMENT WHILE THE CIRCUIT IS LIVE OR UNLESS THE AREA IS FREE OF IGNITABLE CONCENTRATIONS.  
- POTENTIAL ELECTROSTATIC CHARGING HAZARD. REFER TO THE INSTALLATION MANUAL.  
- RISQUE D'EXPLOSION. NE PAS DERANCHER PENDANT QUE LE CIRCUIT EST SOUS TENSION OU A MOINS QUE LES CONCENTRATIONS NE SOIENT EXEMPTES DE CONCENTRATIONS INFLAMMABLES.  
- DANGER POTENTIEL DE CHARGE ELECTROSTATIQUE. SE REFERER AU MANUEL D'INSTALLATION

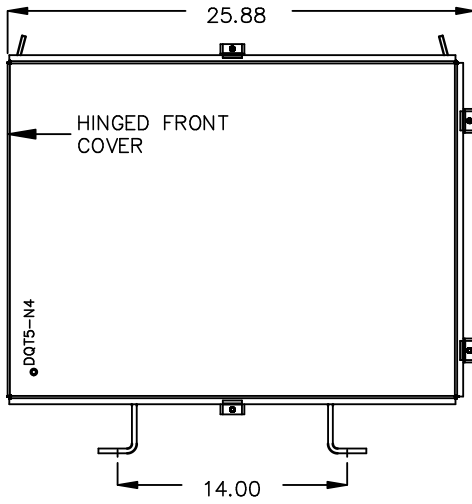
SEISMIC QUALIFICATIONS:  
OSP=0136/BC 2018/ASCE 7-16  
SDS<=2.0g Z/h=1 Ip=1.5



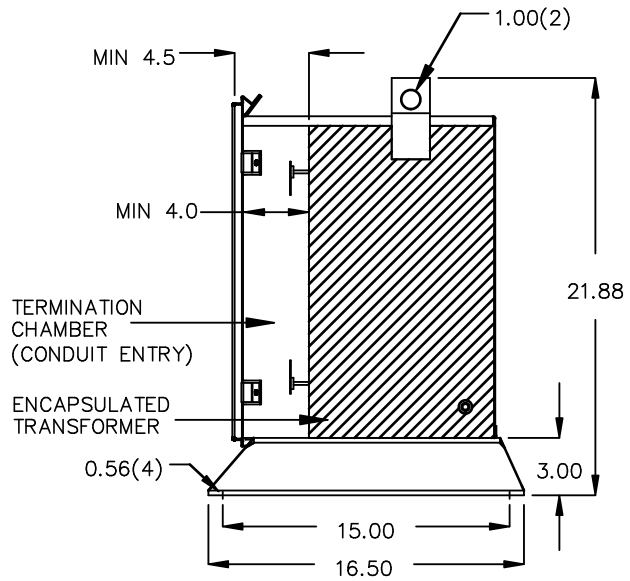
d000203bq

Made in Mexico

FRONT VIEW



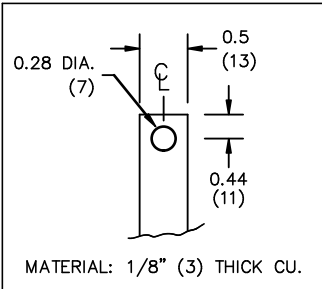
SIDE VIEW



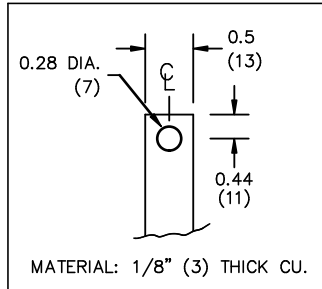
All Dimensions in inches

ENCLOSURE COLOR : ANSI 61 GREY – OUTDOOR

HV TERMINAL DETAIL



LV TERMINAL DETAIL



CUSTOMER NOTES:

- HV TERMINATED AT BOTTOM FRONT
- LV TERMINATED AT TOP FRONT



TITLE: 3PH DISTRIBUTION TRANSFORMER

DES:	PPICASSI
DATE:	24/01/15
SCALE:	NTS

NO.	DATE	BY	REVISION

SHEET 2 OF 2

EDB TX2A0030KHKF