



TITLE: 3PH DISTRIBUTION TRANSFORMER
NAMEPLATE INFORMATION

DES:	PPICASSI
DATE:	24/11/20
SCALE:	NTS

SHEET 1 OF 2

EDB TX2A0015PBKF

0.0 httpd 2026/06/03 12:19

THIS DRAWING CONTAINS STRICTLY CONFIDENTIAL INFORMATION BELONGING TO HAMMOND POWER SOLUTIONS AND MUST NOT BE DISTRIBUTED OUTSIDE AUTHORIZED PARTIES.



HPS Titan™ X
Dry Type Encapsulated Transformer
Transformateur de Type Sec Encapsulé

CE II 3G
DEMKO 21 ATEX 2235X
IECEx UL 21.0116X
Ex ec IIC T3 Gc



Part No. TX2A0015PBKF

595 Southgate Drive
Guelph, ON, N1G 3W6

Cust. Ref. Ref. du Client	Serial No. No. de Serie
Phase	HV/HT
Type	BIL
Cooling Refroidissement	Term Bornes
kVA	LV/BT
Temp. Rise Echauffement	BIL
Temp Class Classe Temp	Term Bornes
Winding Enroulement	CU
Frequency Hz	60
Impedance % @ 135°C	2.5
Encl. Type Type de Coffrage	IP66
Weight Poids	290/132

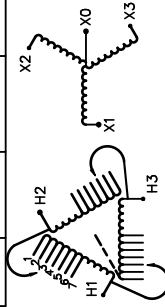
VOLTS	CURRENT COURANT	% RATED VOLTAGE % TENSION NOMINALE	CONNECTION EACH PHASE CONNECTION PAR PHASE
630	13.7	105	1
615	14.1	102.5	2
600	14.4	100	3
585	14.8	97.5	4
570	15.2	95	5
555	15.6	92.5	6
540	16.0	90	7

HAZARDOUS LOCATIONS CLASS 1, ZONE 2
GROUP IIC, T3

SPACINGS BETWEEN ANY VENTILATED ENCLOSURE PANEL AND ANY ADJACENT WALL SHALL BE A MINIMUM OF 3 INCHES
ELECTROSTATIC SHIELD

WARNING / ATTENTION:
- EXPLOSION HAZARD. DO NOT DISCONNECT EQUIPMENT WHILE THE CIRCUIT IS LIVE OR UNLESS THE AREA IS FREE OF IGNITABLE CONCENTRATIONS.
- POTENTIAL ELECTROSTATIC CHARGING HAZARD. REFER TO THE INSTALLATION MANUAL.
- RISQUE D'EXPLOSION. NE PAS DERANCHER PENDANT QUE LE CIRCUIT EST SOUS TENSION OU A MOINS QUE L'EMPLACEMENT NE SOIT EXEMPT DE CONCENTRATIONS INFLAMMABLES.
- DANGER POTENTIEL DE CHARGE ELECTROSTATIQUE SE REFERER AU MANUEL D'INSTALLATION

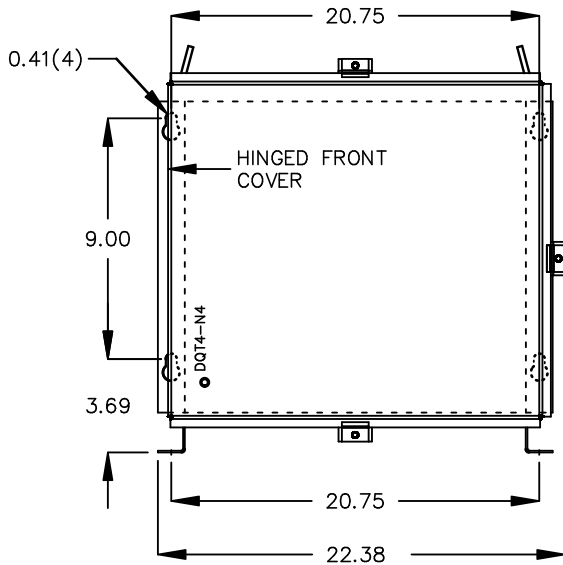
SEISMIC QUALIFICATIONS:
OSP=0.136/IBC 2018/ASCE 7-16
SDS<=2.0g Z/h=1 Ip=1.5



Made in Mexico

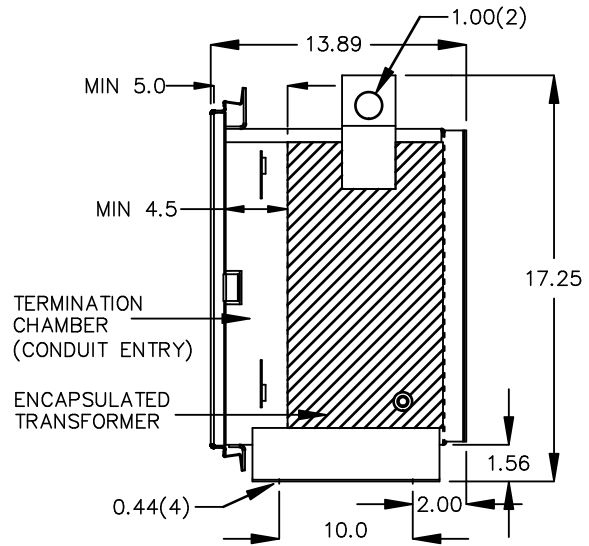
d000203bq

FRONT VIEW



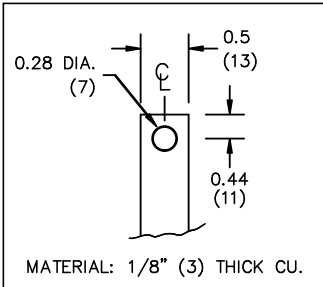
All Dimensions in inches

SIDE VIEW

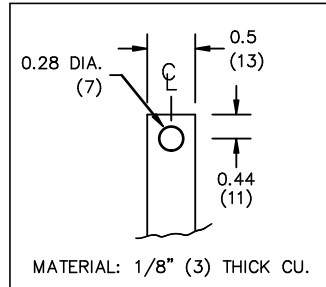


ENCLOSURE COLOR : ANSI 61 GREY – OUTDOOR

HV TERMINAL DETAIL



LV TERMINAL DETAIL



CUSTOMER NOTES:

- HV TERMINATED AT BOTTOM FRONT
- LV TERMINATED AT TOP FRONT



TITLE: 3PH DISTRIBUTION TRANSFORMER

				DES: PPLICASSI
				DATE: 24/11/20
NO.	DATE	BY	REVISION	SCALE: NTS

SHEET 2 OF 2

EDB TX2A0015PBKF