



TITLE: 3PH DISTRIBUTION TRANSFORMER
NAMEPLATE INFORMATION

DES:	WWONG
DATE:	20/10/21
SCALE:	NTS

SHEET 1 OF 2

EDB TX2A0015KBKF



HPS Titan™ X

Dry Type Encapsulated Transformer
Transformateur de Type Sec Encapsulé

Part No. TX2A0015KBKF

CE II 3G

DEMKO 21 ATEX 2235X

IECEx UL 21.0116X

Ex ec IIC T3 Gc



020042346841 4

Cust. Ref. Ref. du Client	Serial No. No. de Serie	
Phase	HV/HT	480V 18.0A
Type	BIL	10 kV
Cooling Refroidissement	Term Bornes	H1 H2 H3
kVA	LV/BT	208Y/120V 41.6A
Temp. Rise Echauffement	BIL	10 kV
Temp Class Classe Temp	Term Bornes	X0 X1 X2 X3
Winding Enroulement	CU	-25° C ≤ Tamb ≤ +40° C
Frequency Hz	60	
Impedance % @ 135° C	2.3	
Encl. Type Type de Coffrage	IP66	
Weight lbs/kg Poids	295/134	

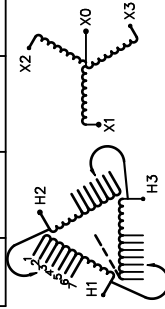
VOLTS	CURRENT COURANT	% RATED VOLTAGE % TENSION NOMINALE	CONNECTION EACH PHASE CONNECTION PAR PHASE
504	17.2	105	1
492	17.6	102.5	2
480	18.0	100	3
468	18.5	97.5	4
456	19.0	95	5
444	19.5	92.5	6
432	20.0	90	7

HAZARDOUS LOCATIONS CLASS 1, ZONE 2
GROUP IIC, T3

SPACINGS BETWEEN ANY VENTILATED ENCLOSURE PANEL AND ANY ADJACENT WALL SHALL BE A MINIMUM OF 3 INCHES
ELECTROSTATIC SHIELD

WARNING / ATTENTION:
- EXPLOSION HAZARD. DO NOT DISCONNECT EQUIPMENT WHILE THE CIRCUIT IS LIVE OR UNLESS THE AREA IS FREE OF IGNITABLE CONCENTRATIONS.
- POTENTIAL ELECTROSTATIC CHARGING HAZARD. REFER TO THE INSTALLATION MANUAL.
- RISQUE D'EXPLOSION. NE PAS DERANCHER PENDANT QUE LE CIRCUIT EST SOUS TENSION OU A MOINS QUE LES CONCENTRATIONS NE SOIENT EXEMPT DE CONCENTRATIONS INFLAMMABLES.
- DANGER POTENTIEL DE CHARGE ELECTROSTATIQUE. SE REFERER AU MANUEL D'INSTALLATION

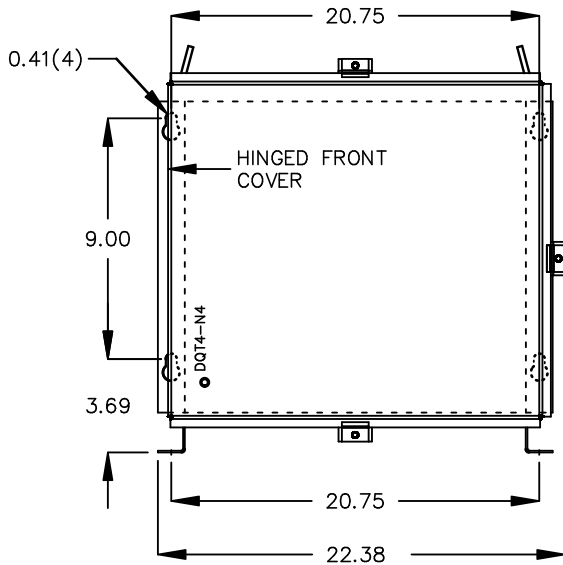
SEISMIC QUALIFICATIONS:
OSP-0136/IBC 2018/ASCE 7-16
SDS ≤ 2.0g Z/h=1 Ip=1.5



Made in Mexico

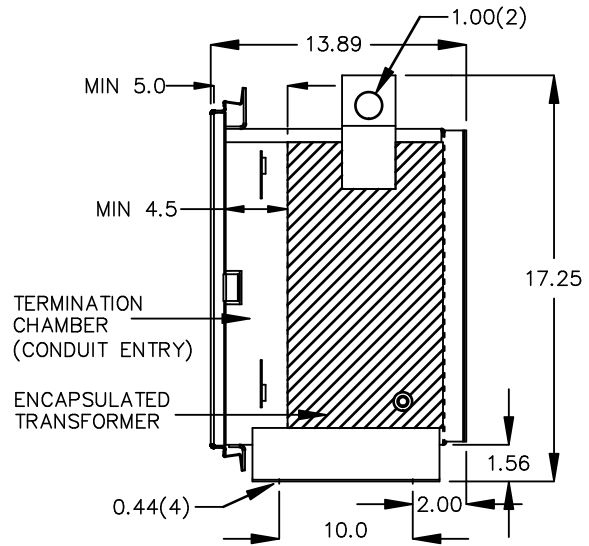
d000203bq

FRONT VIEW



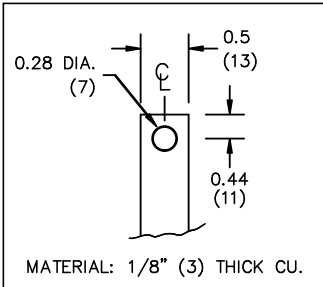
All Dimensions in inches

SIDE VIEW

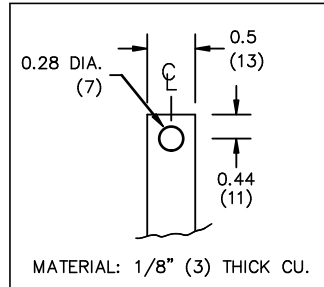


ENCLOSURE COLOR : ANSI 61 GREY – OUTDOOR

HV TERMINAL DETAIL



LV TERMINAL DETAIL



CUSTOMER NOTES:

- HV TERMINATED AT BOTTOM FRONT
- LV TERMINATED AT TOP FRONT



TITLE: 3PH DISTRIBUTION TRANSFORMER

				DES: WWONG
				DATE: 20/10/21
NO.	DATE	BY	REVISION	SCALE: NTS

SHEET 2 OF 2

EDB TX2A0015KBF