



TITLE: 3PH DISTRIBUTION TRANSFORMER
NAMEPLATE INFORMATION

NO.	DATE	BY	REVISION	DES: PPI/CASSI
				DATE: 23/05/25
				SCALE: NTS

SHEET 1 OF 2

EDB TX2A0009KBKF

POWER SOLUTIONS
595 Southgate Drive
Cuelph ON, N1G 3W6

HPS Titan™ X
Dry Type Encapsulated Transformer
Transformateur de Type Sec Encapsulé

Part No. TX2A0009KBKF

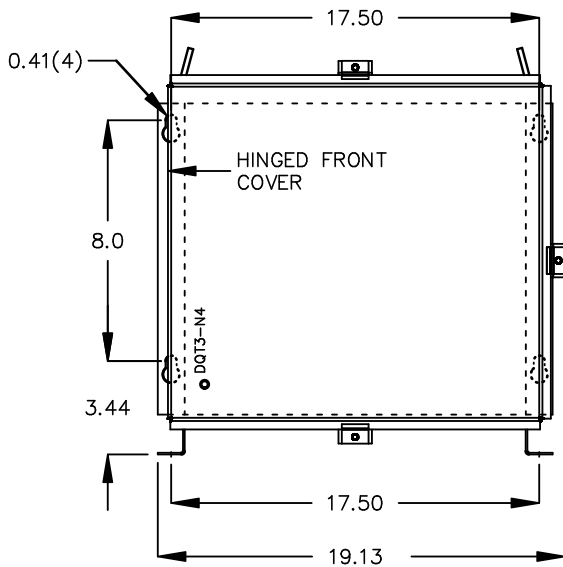
CE II 3G
DEMKO 21 ATEX 2235X
IECEx UL 21.0116X
Ex ec IIC T3 Gc

Cust. Ref. Ref. du Client	Serial No. No. de Serie	VOLTS	% RATED VOLTAGE % TENSION NOMINALE	CONNECTION EACH PHASE CONNECTION PAR PHASE	
3	HV/HT	480V	105	1-2	HAZARDOUS LOCATIONS CLASS 1, ZONE 2 GROUP IIC, T3
HZQT	BIL	10 kV	100	2-3	
ANC	Term Bornes	H1 H2 H3	95	3-4	
kVA	LV/BT	208Y/120V			SPACINGS BETWEEN ANY VENTILATED ENCLOSURE PANEL AND ANY ADJACENT WALL SHALL BE A MINIMUM OF 1 INCHES ELECTROSTATIC SHIELD
115 °C	BIL	10 kV			
180 °C	Term Bornes	X0 X1 X2 X3			WARNING/ATTENTION: - EXPLOSION HAZARD. DO NOT DISCONNECT EQUIPMENT WHILE THE CIRCUIT IS LIVE OR UNLESS THE AREA IS FREE OF IGNITABLE CONCENTRATIONS. - POTENTIAL ELECTROSTATIC CHARGING HAZARD. REFER THE INSTALLATION MANUAL. - RISQUE D'EXPLOSION. NE PAS DEBRANCHER PENDANT QUE LE CIRCUIT EST SOUS TENSION OU A MOINS QUE LES EMPLACEMENTS INFLAMMABLES. - DANGER POTENTIEL DE CHARGE ELECTROSTATIQUE. SE REFERER AU MANUEL D'INSTALLATION
CU		-25° C ≤ Tamb ≤ +40° C			
60					SEISMIC QUALIFICATIONS: OSP-0136/IBC 2018/ASCE 7-16 SDS ≤ 2.0g Z/h=1 Ip=1.5
2.6					
Encl. Type Type de Coffrage					
Weight Poids					

Made in Mexico

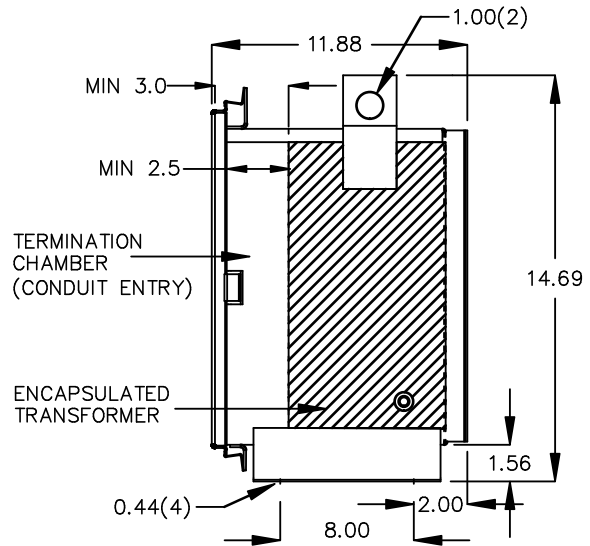
d000203bqss

FRONT VIEW



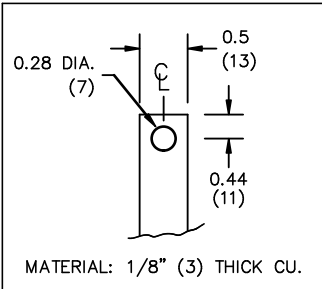
All Dimensions in inches

SIDE VIEW

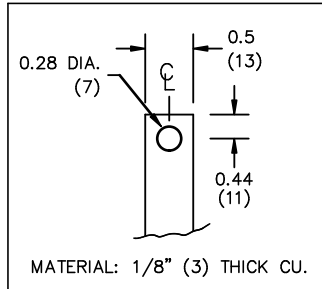


ENCLOSURE COLOR : ANSI 61 GREY – OUTDOOR

HV TERMINAL DETAIL



LV TERMINAL DETAIL



CUSTOMER NOTES:

- HV TERMINATED AT BOTTOM FRONT
- LV TERMINATED AT TOP FRONT



TITLE: 3PH DISTRIBUTION TRANSFORMER

				DES: PPICASSI
				DATE: 23/05/25
NO.	DATE	BY	REVISION	SCALE: NTS

SHEET 2 OF 2

EDB TX2A0009KBF