



TITLE: 3PH DISTRIBUTION TRANSFORMER  
NAMEPLATE INFORMATION

NO.	DATE	BY	REVISION	SCALE:
2	21/07/16	PP	EDB UPDATE	DES: PPICASSI
1	20/03/17	PP	SEISMIC UPDATE	DATE: 19/01/09
				SCALE: NTS

SHEET 1 OF 2

EDB TN2D0075KDKF

2.0 httpd 2026/06/03 10:04

THIS DRAWING CONTAINS STRICTLY CONFIDENTIAL INFORMATION BELONGING TO HAMMOND POWER SOLUTIONS AND MUST NOT BE DISTRIBUTED OUTSIDE AUTHORIZED PARTIES.

**POWER SOLUTIONS**  
Guelph, ONT Compton, CA Baraboo, WI Monterrey, MX

**HPS Titan™ N**  
Dry Type Encapsulated Transformer  
Transformateur de Type Sec Encapsulé

Part No. **TN2D0075KDKF**

**UL LISTED**  
31GW E258346  
GENERAL PURPOSE TRANSFORMER FOR USE IN HAZARDOUS LOCATIONS

Cust. Ref. Ref. du Client		Serial No. No. de Serie		HV/HT	480V
Phase	3				
Type	HZQT			BIL	10 kV
Cooling Refroidissement	ANC			Term Bornes	H1 H2 H3
kVA	75			LV/BT	240V
Temp. Rise Echauffement	115 °C			BIL	10 kV
Temp Class Classe Temp	180 °C			Term Bornes	X1 X2 X3
Winding Enroulement	CU				
Frequency Hz	60				
Impedance % @ 135 °C	2				
Encl. Type Type de Coffrage	4				
Weight Poids	1200				

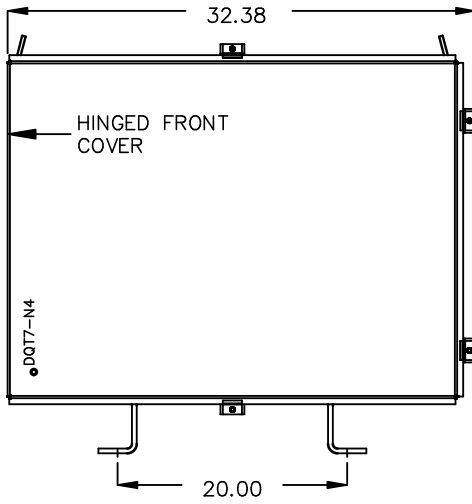
VOLTS	CURRENT COURANT	% RATED VOLTAGE % TENSION NOMINALE	CONNECTION EACH PHASE CONNECTION PAR PHASE	HAZARDOUS LOCATIONS CLASS 1, DIV 2 GROUPS A, B, C & D TEMPERATURE CODE: T3A
504	85.9	105	1	HAZARDOUS LOCATIONS CLASS 1, ZONE 2 GROUPS IIC, T3
480	88.0	102.5	2	SPACINGS BETWEEN ANY VENTILATED ENCLOSURE PANEL AND ANY ADJACENT WALL SHALL BE A MINIMUM OF 3 INCHES ELECTROSTATIC SHIELD
468	90.2	100	3	
456	92.5	97.5	4	
444	95.0	95	5	
432	97.5	92.5	6	
	100.2	90	7	

**WARNING - EXPLOSION HAZARD. DO NOT DISCONNECT EQUIPMENT WHILE THE CIRCUIT IS LIVE OR UNLESS THE AREA IS FREE OF IGNITABLE CONCENTRATIONS. AVERTISSEMENT : RISQUE D'EXPLOSION. NE PAS D BRANCHER PENDANT QUE LE CIRCUIT EST SOUS TENSION OU MONS QUE L'EMPLACEMENT NE SOIT EXEMPT DE CONCENTRATIONS INFLAMMABLES.**

SEISMIC QUALIFICATIONS:  
OSP=0136/IBC 2018/ASCE 7-16  
SDS<=2.0g Z/h=1 p=1.5

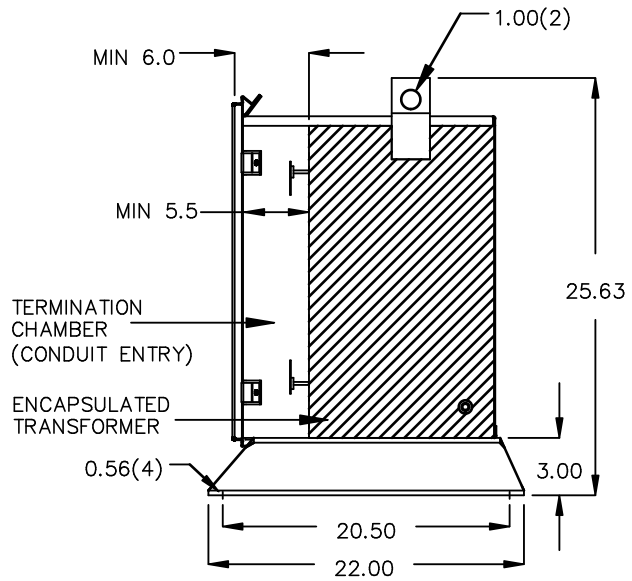
d000200bq

FRONT VIEW



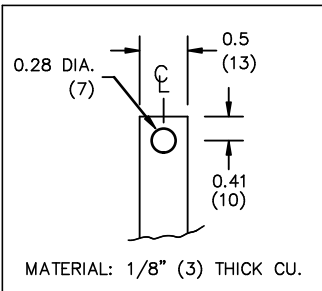
All Dimensions in inches

SIDE VIEW

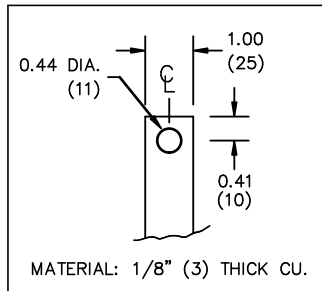


ENCLOSURE COLOR : ANSI 61 GREY – OUTDOOR

HV TERMINAL DETAIL



LV TERMINAL DETAIL



CUSTOMER NOTES:

- HV TERMINATED AT BOTTOM FRONT
- LV TERMINATED AT TOP FRONT



TITLE: 3PH DISTRIBUTION TRANSFORMER

2	21/07/16	PP	EDB UPDATE	DES: PPLICASSI
1	20/03/17	PP	SEISMIC UPDATE	DATE: 19/01/09
NO.	DATE	BY	REVISION	SCALE: NTS

SHEET 2 OF 2

EDB TN2D0075DKF