



TITLE: 3PH DISTRIBUTION TRANSFORMER  
NAMEPLATE INFORMATION


1	21/07/16	PP	EDB UPDATE	DES: LCEN
NO.	DATE	BY	REVISION	SCALE: NTS

SHEET 1 OF 2

EDB TN2D0003KDKA

1.0 httpd 2026/04/02 22:04


THIS DRAWING CONTAINS STRICTLY CONFIDENTIAL INFORMATION BELONGING TO HAMMOND POWER SOLUTIONS AND MUST NOT BE DISTRIBUTED OUTSIDE AUTHORIZED PARTIES.



**POWER SOLUTIONS**  
Guelph, ONT Compton, CA Baraboo, WI Monterrey, MX

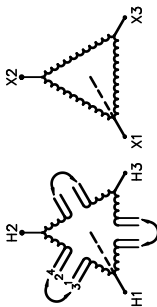
**HPS Titan™ N**  
Dry Type Encapsulated Transformer  
Transformateur de Type Sec Encapsulé

**UL US LISTED**  
31GW E258346  
GENERAL PURPOSE TRANSFORMER FOR USE IN HAZARDOUS LOCATIONS  
BUILT TO ABS STANDARD



8 03423 15235 12

Cust. Ref. Ref. du Client	Serial No. No. de Serie	HV/HT	480V	3.6	CONNECTION EACH PHASE GROUPS A, B, C & D TEMPERATURE CODE: T3C
Phase	3	BIL	10 kV		HAZARDOUS LOCATIONS CLASS 1, ZONE 2 GROUPS IIC, T3 ELECTROSTATIC SHIELD
Type	HZQT	Term Bornes	H1 H2 H3		TEMPERATURE CLASSIFICATION: T3C
Cooling Refroidissement	ANC	LV/BT	240V	7.2A	
kVA	3	BIL	10 kV		
Temp. Rise Echauffement	80 °C	Term Bornes	X1 X2 X3		
Temp Class Classe Temp	130 °C	Winding Enroulement	CU		
Frequency Hz	60	Frequency Hz			
Impedance % @ 100 °C	3.6	Encl. Type Type de Coffrage			
Weight Poids	4 lbs 68				



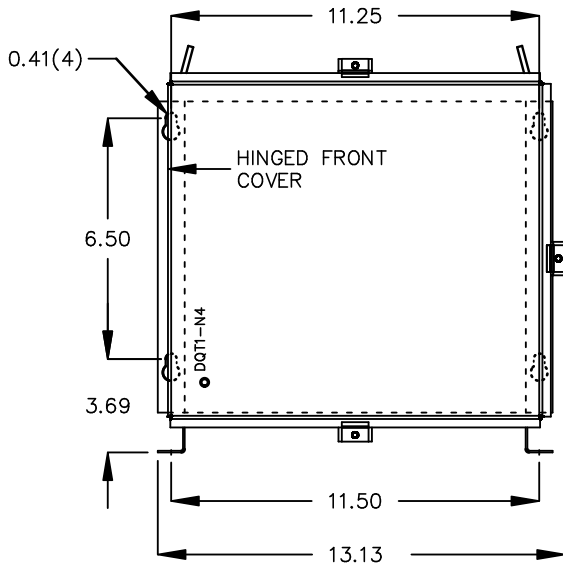
H1 H2 H3 X1 X2 X3

WARNING - EXPLOSION HAZARD. DO NOT DISCONNECT EQUIPMENT WHILE THE CIRCUIT IS LIVE OR UNLESS THE AREA IS FREE OF IGNITABLE CONCENTRATIONS.  
AVERTISSEMENT : RISQUE D'EXPLOSION. NE PAS DÉBRANCHER PENDANT QUE LE CIRCUIT EST SOUS TENSION OU À MOINS QUE L'EMPLACEMENT NE SOIT EXEMPT DE CONCENTRATIONS INFLAMMABLES.

SEISMIC QUALIFICATIONS:  
OSP=0136/IBC 201B/ASCE 7-16  
SDS<=2.0g Z/h=1 p=1.5

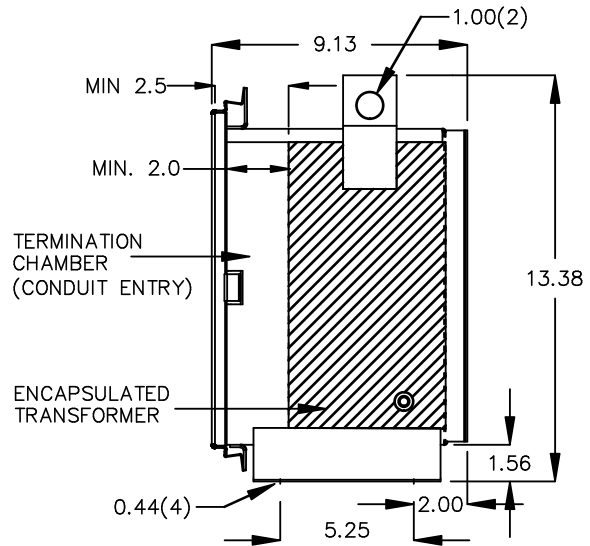
d000200bq

FRONT VIEW



All Dimensions in inches

SIDE VIEW



ENCLOSURE COLOR : ANSI 61 GREY – OUTDOOR

H.V.1. TERMINAL DETAIL

L.V.1. TERMINAL DETAIL

#14 AWG STRANDED COPPER  
WIRE LEADS

#14 AWG STRANDED COPPER  
WIRE LEADS

CUSTOMER NOTES:

- HV1 TERMINATED AT BOTTOM FRONT
- LV1 TERMINATED AT TOP FRONT



TITLE: 3PH DISTRIBUTION TRANSFORMER

1	21/07/16	PP	EDB UPDATE	DES: LCEN
NO.	DATE	BY	REVISION	SCALE: NTS

SHEET 2 OF 2

EDB TN2D0003DKA