



TITLE: HPS TITAN ENCAPSULATED TRANSFORMER
NAMEPLATE INFORMATION

DES:	LCEN
DATE:	25/02/19
SCALE:	NTS

SHEET 1 OF 2

EDB TN2D0002PDKA

0.1 httpd 2026/06/24 21:45

THIS DRAWING CONTAINS STRICTLY CONFIDENTIAL INFORMATION BELONGING TO HAMMOND POWER SOLUTIONS AND MUST NOT BE DISTRIBUTED OUTSIDE AUTHORIZED PARTIES.

hammond
POWER SOLUTIONS

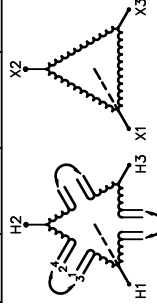
Guelph, ONT Compton, CA Baraboo, WI Monterrey, MX

HPS Titan™ N
Dry Type Encapsulated Transformer
Transformateur de Type Sec Encapsulé
Part No. TN2D0002PDKA

UL US LISTED
31GW E258346
GENERAL PURPOSE
TRANSFORMER FOR USE IN
HAZARDOUS LOCATIONS

Cust. Ref. Ref. du Client		Serial No. No. de Serie	
Phase	3	HV/HT	600V 1.92A
Type	HZQT	BIL	10 kV
Cooling Refroidissement	ANC	Term Bornes	H1 H2 H3
kVA	2	LV/BT	240V 4.8A
Temp. Rise Echauffement	80 °C	BIL	10 kV
Temp Class Classe Temp	130 °C	Term Bornes	X1 X2 X3
Winding Enroulement	CU		
Frequency Hz	60		
Impedance % @ 100 °C	4.6		
Encl. Type Type de Coffrage	4		
Weight lbs/kg Poids	50/23		

VOLTS	CURRENT COURANT	% RATED % TENSION NOMINALE	CONNECTION EACH PHASE CONNECTION PAR PHASE	HAZARDOUS LOCATIONS CLASS 1, DIV 2 GROUPS A, B, C & D TEMPERATURE CODE: T3C HAZARDOUS LOCATIONS CLASS 1, ZONE 2 GROUPS IIC, T3 ELECTROSTATIC SHIELD
630 600 570	1.8 1.9 2.0	105 100 95	1-2 2-3 3-4	

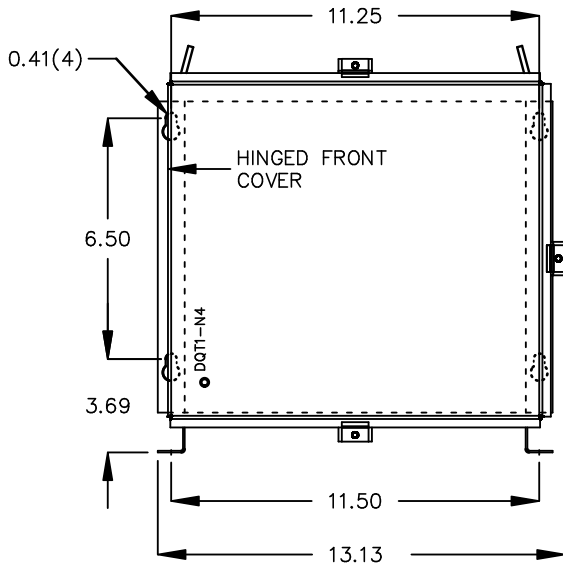


WARNING - EXPLOSION HAZARD. DO NOT DISCONNECT EQUIPMENT WHILE THE CIRCUIT IS LIVE OR UNLESS THE AREA IS FREE OF IGNITABLE CONCENTRATIONS.
AVERTISSEMENT : RISQUE D'EXPLOSION. NE PAS D BRANCHER PENDANT QUE LE CIRCUIT EST SOUS TENSION OU MOINS QUE L'EMPLACEMENT NE SOIT EXEMPT DE CONCENTRATIONS INFLAMMABLES.

SEISMIC QUALIFICATIONS:
OSP=0136/IBC 201B/ASCE 7-16
SDS<=2.0g Z/h=1 p=1.5

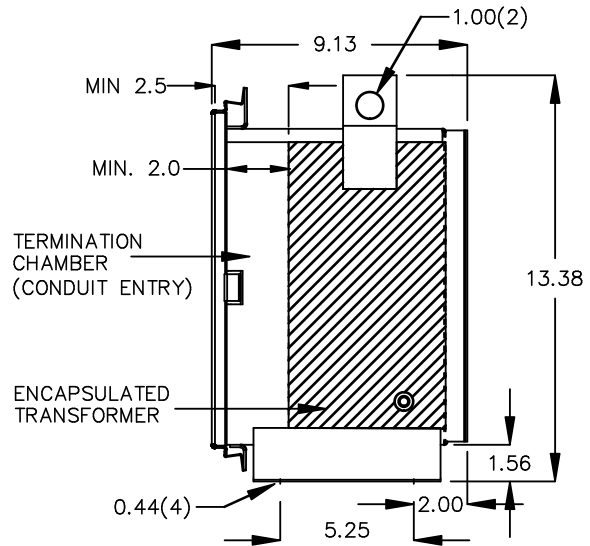
0000200bq

FRONT VIEW



All Dimensions in inches

SIDE VIEW



ENCLOSURE COLOR : ANSI 61 GREY – OUTDOOR

H.V.1. TERMINAL DETAIL

L.V.1. TERMINAL DETAIL

#14 AWG STRANDED COPPER
WIRE LEADS

#14 AWG STRANDED COPPER
WIRE LEADS

CUSTOMER NOTES:

- HV1 TERMINATED AT BOTTOM FRONT
- LV1 TERMINATED AT TOP FRONT



TITLE: HPS TITAN ENCAPSULATED TRANSFORMER

				DES: LCEN
				DATE: 25/02/19
NO.	DATE	BY	REVISION	SCALE: NTS

SHEET 2 OF 2

EDB TN2D0002PDKA