



TITLE: HPS TITAN ENCAPSULATED TRANSFORMER
NAMEPLATE INFORMATION

NO.	DATE	BY	REVISION	DES:	LCEN
1	21/07/16	PP	EDB UPDATE	DATE:	21/06/11
				SCALE:	NTS

SHEET 1 OF 2

EDB TN2D0002KDKA

1.0 httpd 2026/05/08 11:00

THIS DRAWING CONTAINS STRICTLY CONFIDENTIAL INFORMATION BELONGING TO HAMMOND POWER SOLUTIONS AND MUST NOT BE DISTRIBUTED OUTSIDE AUTHORIZED PARTIES.

POWER SOLUTIONS
Guelph, ONT Compton, CA Baraboo, WI
Monterrey, MX

HPS Titan™ N
Dry Type Encapsulated Transformer
Transformateur de Type Sec Encapsulé

UL US LISTED
31GW E258346
GENERAL PURPOSE TRANSFORMER FOR USE IN HAZARDOUS LOCATIONS

Part No. **TN2D0002KDKA**

Cust. Ref. Ref. du Client	Serial No. No. de Serie
Phase	HV/HT
Type	BIL
Cooling Refrondissement	Term Bornes
kVA	LV/BT
Temp. Rise Echauffement	BIL
Temp Class Classe Temp	Term Bornes
Winding Enroulement	
Frequency Hz	
Impedance % @ 100 °C	
Encl. Type Type de Coffrage	
Weight lbs/kg Poids	

VOLTS	HAZARDOUS LOCATIONS CLASS 1, DIV 2 GROUPS A, B, C & D TEMPERATURE CODE: T3C
504	HAZARDOUS LOCATIONS CLASS 1, ZONE 2 GROUPS IIC, T3 ELECTROSTATIC SHIELD
480	
456	

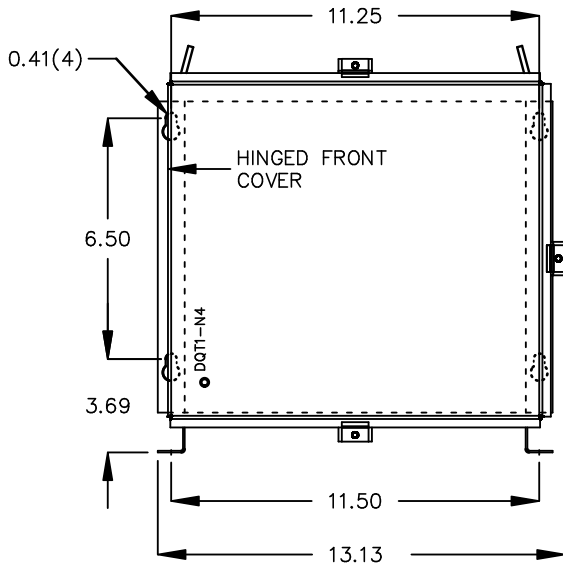
CURRENT COURANT	% RATED % TENSION NOMINALE	CONNECTION EACH PHASE CONNECTION PAR PHASE
2.3	105	1-2
2.3	100	2-3
2.4	95	3-4

WARNING - EXPLOSION HAZARD. DO NOT DISCONNECT EQUIPMENT WHILE THE CIRCUIT IS LIVE OR UNLESS THE AREA IS FREE OF IGNITABLE CONCENTRATIONS.
AVERTISSEMENT : RISQUE D'EXPLOSION. NE PAS D BRANCHER PENDANT QUE LE CIRCUIT EST SOUS TENSION OU MOINS QUE L'EMPLACEMENT NE SOIT EXEMPT DE CONCENTRATIONS INFLAMMABLES.

SEISMIC QUALIFICATIONS:
OSP=0136/IBC 201B/ASCE 7-16
SDS<=2.0g Z/h=1 p=1.5

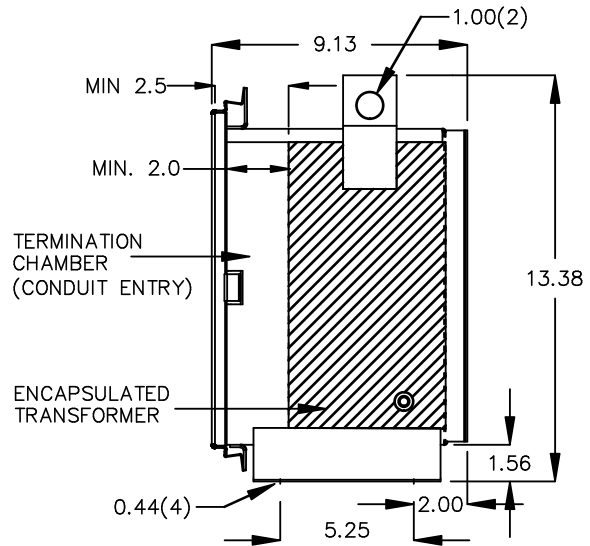
d000200bq

FRONT VIEW



All Dimensions in inches

SIDE VIEW



ENCLOSURE COLOR : ANSI 61 GREY – OUTDOOR

H.V.1. TERMINAL DETAIL

L.V.1. TERMINAL DETAIL

#14 AWG STRANDED COPPER
WIRE LEADS

#14 AWG STRANDED COPPER
WIRE LEADS

CUSTOMER NOTES:

- HV1 TERMINATED AT BOTTOM FRONT
- LV1 TERMINATED AT TOP FRONT



TITLE: HPS TITAN ENCAPSULATED TRANSFORMER

1	21/07/16	PP	EDB UPDATE	DES: LCEN
NO.	DATE	BY	REVISION	SCALE: NTS

SHEET 2 OF 2

EDB TN2D0002KDKA