



TITLE: 3PH DISTRIBUTION TRANSFORMER
NAMEPLATE INFORMATION

3	21/07/16	PP	EDB UPDATE	DES: PPICASSI
2	20/03/17	PP	SEISMIC UPDATE	DATE: 19/01/09
NO.	DATE	BY	REVISION	SCALE: NTS

SHEET 1 OF 2

EDB TN2A0045QKKE

3.1 httpd 2026/05/22 13:11

THIS DRAWING CONTAINS STRICTLY CONFIDENTIAL INFORMATION BELONGING TO HAMMOND POWER SOLUTIONS AND MUST NOT BE DISTRIBUTED OUTSIDE AUTHORIZED PARTIES.

POWER SOLUTIONS
Guelph, ONT Compton, CA Baraboo, WI
Monterrey, MX

HPS Titan™ N
Dry Type Encapsulated Transformer
Transformateur de Type Sec Encapsulé

UL US LISTED
31GW E258346
GENERAL PURPOSE TRANSFORMER FOR USE IN HAZARDOUS LOCATIONS

Part No. **TN2A0045QKKE**

Cust. Ref. Ref. du Client	Serial No. No. de Serie	HV/HT	480V/600V	54.1/43.3A
Phase	3	BIL	10 kV	
Type	HZQT	Term Bornes	H1 H2 H3	
Cooling Refroidissement	ANC	LV/BT	480Y/277V	54.1A
kVA	45	BIL	10 kV	
Temp. Rise Echauffement	115 °C	Term Bornes	X0 X1 X2 X3	
Temp Class Classe Temp	180 °C	Winding Enroulement	CU	
Frequency Hz	60	Frequency Hz		
Impedance % @ 135 °C	1.6	Encl. Type Type de Coffrage	4	
Weight lbs/kg Poids	690/313			

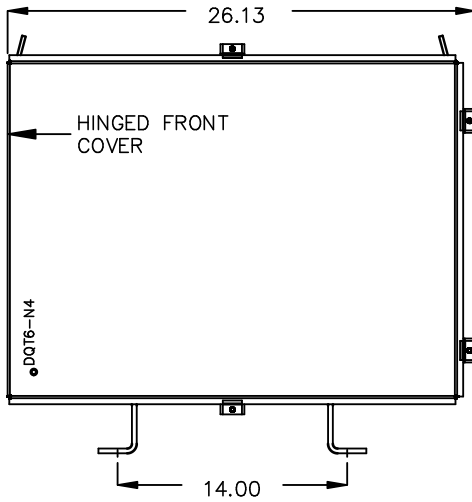
VOLTS	CURRENT COURANT	% RATED VOLTAGE % TENSION NOMINALE	CONNECTION EACH PHASE CONNECTION PAR PHASE	HAZARDOUS LOCATIONS CLASS 1, DIV 2 GROUPS A, B, C & D TEMPERATURE CODE: T3A
624	41.6	104	600V-1	HAZARDOUS LOCATIONS CLASS 1, ZONE 2 GROUPS IIC, T3
600	43.3	100	600V-2	SPACINGS BETWEEN ANY VENTILATED ENCLOSURE PANEL AND ANY ADJACENT WALL SHALL BE A MINIMUM OF 3 INCHES ELECTROSTATIC SHIELD
576	45.1	96	600V-3	
552	47.1	92	600V-4	
504	51.5	105	480V-1	
480	54.1	100	480V-2	
456	57.0	95	480V-3	
432	60.1	90	480V-4	

WARNING - EXPLOSION HAZARD. DO NOT DISCONNECT EQUIPMENT WHILE THE CIRCUIT IS LIVE OR UNLESS THE AREA IS FREE OF IGNITABLE CONCENTRATIONS. AVERTISSEMENT : RISQUE D'EXPLOSION. NE PAS D BRANCHER PENDANT QUE LE CIRCUIT EST SOUS TENSION OU MOINS QUE L'EMPLACEMENT NE SOIT EXEMPT DE CONCENTRATIONS INFLAMMABLES.

SEISMIC QUALIFICATIONS:
OSP=0136/IBC 2018/ASCE 7-16
SDS<=2.0g Z/h=1 p=1.5

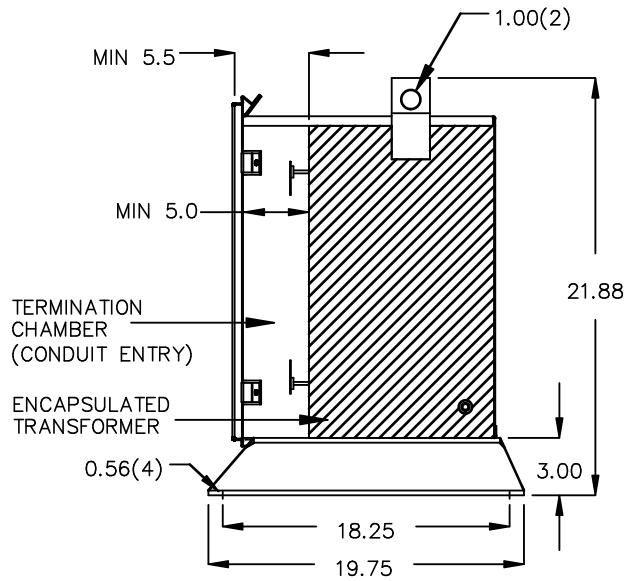
0000200bq

FRONT VIEW



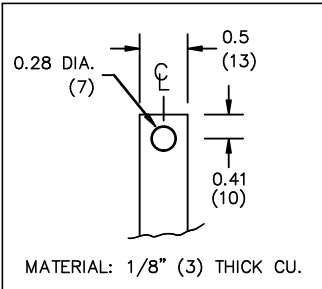
All Dimensions in inches

SIDE VIEW

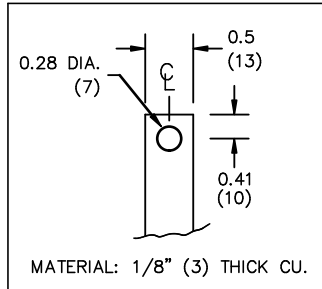


ENCLOSURE COLOR : ANSI 61 GREY – OUTDOOR

HV TERMINAL DETAIL



LV TERMINAL DETAIL



CUSTOMER NOTES:

- HV TERMINATED AT BOTTOM FRONT
- LV TERMINATED AT TOP FRONT



TITLE: 3PH DISTRIBUTION TRANSFORMER

3	21/07/16	PP	EDB UPDATE	DES: PPLICASSI
2	20/03/17	PP	SEISMIC UPDATE	DATE: 19/01/09
NO.	DATE	BY	REVISION	SCALE: NTS

SHEET 2 OF 2

EDB TN2A00450KKE