



TITLE: 3PH DISTRIBUTION TRANSFORMER  
NAMEPLATE INFORMATION

3	21/07/16	PP	EDB UPDATE	DES: PPICASSI
2	20/03/17	PP	SEISMIC UPDATE	DATE: 19/01/09
NO.	DATE	BY	REVISION	SCALE: NTS

SHEET 1 OF 2

EDB TN2A0030QKKE

3.0 httpd 2026/06/25 07:05

THIS DRAWING CONTAINS STRICTLY CONFIDENTIAL INFORMATION BELONGING TO HAMMOND POWER SOLUTIONS AND MUST NOT BE DISTRIBUTED OUTSIDE AUTHORIZED PARTIES.

**POWER SOLUTIONS**  
Guelph, ONT Compton, CA Baraboo, WI  
Monterrey, MX

**HPS Titan™ N**  
Dry Type Encapsulated Transformer  
Transformateur de Type Sec Encapsulé

Part No. **TN2A0030QKKE**

31GW E258346  
GENERAL PURPOSE TRANSFORMER FOR USE IN HAZARDOUS LOCATIONS

Cust. Ref. Ref. du Client	Serial No. No. de Serie	HV/HT	480V/600V	36.1/28.9A
Phase	3	BIL	10 kV	
Type	HZQT	Term Bornes	H1 H2 H3	
Cooling Refroidissement	ANC	LV/BT	480Y/277V	36.1A
kVA	30	BIL	10 kV	
Temp. Rise Echauffement	115 °C	Term Bornes	X0 X1 X2 X3	
Temp Class Classe Temp	180 °C	Winding Enroulement	CU	
Frequency Hz	60	Frequency Hz		
Impedance % @ 135 °C	2	Encl. Type Type de Coffrage		
Weight Poids	495 lbs			

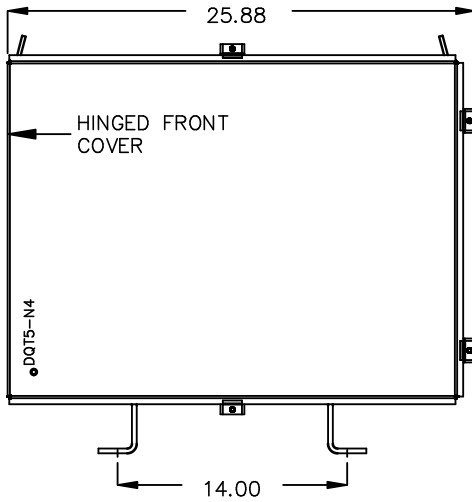
VOLTS	CURRENT COURANT	% RATED VOLTAGE % TENSION NOMINALE	CONNECTION EACH PHASE CONNECTION PAR PHASE	HAZARDOUS LOCATIONS CLASS 1, DIV 2 GROUPS A, B, C & D TEMPERATURE CODE: T3A
624	27.8	104	600V-1	HAZARDOUS LOCATIONS CLASS 1, ZONE 2 GROUPS IIC, T3
600	28.9	100	600V-2	SPACINGS BETWEEN ANY VENTILATED ENCLOSURE PANEL AND ANY ADJACENT WALL SHALL BE A MINIMUM OF 3 INCHES ELECTROSTATIC SHIELD
576	30.1	96	600V-3	
552	31.4	92	600V-4	
504	34.4	105	480V-1	
480	36.1	100	480V-2	
456	38.0	95	480V-3	
432	40.1	90	480V-4	

**WARNING - EXPLOSION HAZARD. DO NOT DISCONNECT EQUIPMENT WHILE THE CIRCUIT IS LIVE OR UNLESS THE AREA IS FREE OF IGNITABLE CONCENTRATIONS. AVERTISSEMENT : RISQUE D'EXPLOSION. NE PAS D'BRANCHER PENDANT QUE LE CIRCUIT EST SOUS TENSION OU MOINS QUE L'EMPLACEMENT NE SOIT EXEMPT DE CONCENTRATIONS INFLAMMABLES.**

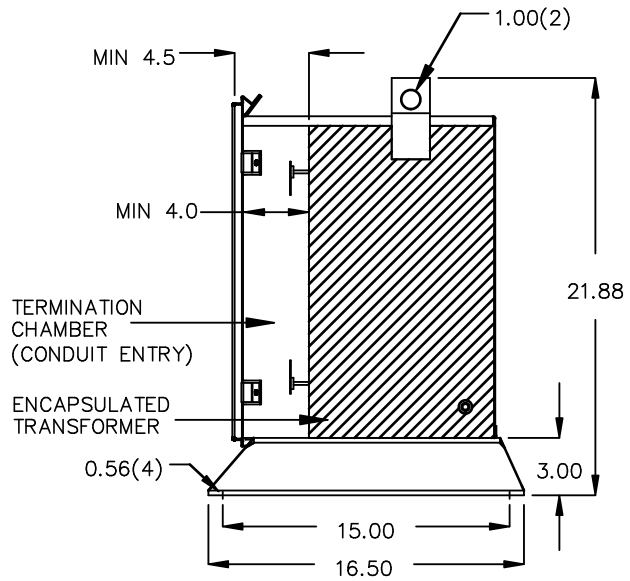
SEISMIC QUALIFICATIONS:  
OSP=0136/IBC 201B/ASCE 7-16  
SDS<=2.0g Z/h=1 p=1.5

0000200bq

FRONT VIEW



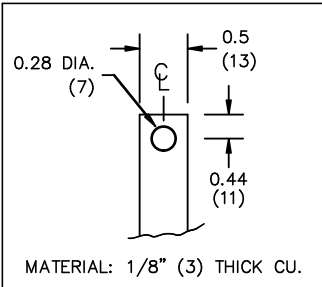
SIDE VIEW



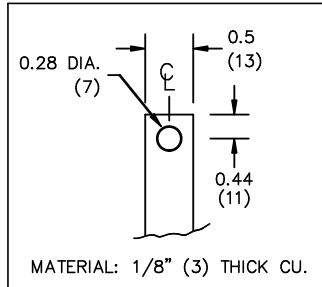
All Dimensions in inches

ENCLOSURE COLOR : ANSI 61 GREY – OUTDOOR

HV TERMINAL DETAIL



LV TERMINAL DETAIL



CUSTOMER NOTES:

- HV TERMINATED AT BOTTOM FRONT
- LV TERMINATED AT TOP FRONT



TITLE: 3PH DISTRIBUTION TRANSFORMER

3	21/07/16	PP	EDB UPDATE	DES: PPLICASSI
2	20/03/17	PP	SEISMIC UPDATE	DATE: 19/01/09
NO.	DATE	BY	REVISION	SCALE: NTS

SHEET 2 OF 2

EDB TN2A0030QKKE