



TITLE: 3PH DISTRIBUTION TRANSFORMER
NAMEPLATE INFORMATION

| | | | | |
|-----|----------|----|----------------|----------------|
| NO. | DATE | BY | REVISION | SCALE: |
| 2 | 21/07/16 | PP | EDB UPDATE | DES: PPICASSI |
| 1 | 20/03/17 | PP | SEISMIC UPDATE | DATE: 19/01/09 |
| | | | | SCALE: NTS |

SHEET 1 OF 2

EDB TN2A0030KBKF

2.0 httpd 2026/04/04 08:46

THIS DRAWING CONTAINS STRICTLY CONFIDENTIAL INFORMATION BELONGING TO HAMMOND POWER SOLUTIONS AND MUST NOT BE DISTRIBUTED OUTSIDE AUTHORIZED PARTIES.

POWER SOLUTIONS
Guelph, ONT Compton, CA Baraboo, WI Monterrey, MX

HPS Titan™ N
Dry Type Encapsulated Transformer
Transformateur de Type Sec Encapsulé

UL US LISTED
31GW E258346
GENERAL PURPOSE TRANSFORMER FOR USE IN HAZARDOUS LOCATIONS BUILT TO ABS STANDARD

Cust. Ref. [] Serial No. []
 Ref. du Client [] No. de Serie []
 Phase 3 HV/HT 480V
 Type HZQT BIL 10 kV
 Cooling Refroidissement ANC Term Bornes H1 H2 H3
 kVA 30 LV/BT 208Y/120V 83.3A
 Temp. Rise Echauffement 115 °C BIL 10 kV
 Temp Class Classe Temp 180 °C Term Bornes X0 X1 X2 X3
 Winding Enroulement CU
 Frequency Fréquence Hz 60
 Impedance % @ 135 °C 2
 Encl. Type Type de Coffrage 4
 Weight Poids lbs/kg 465/211

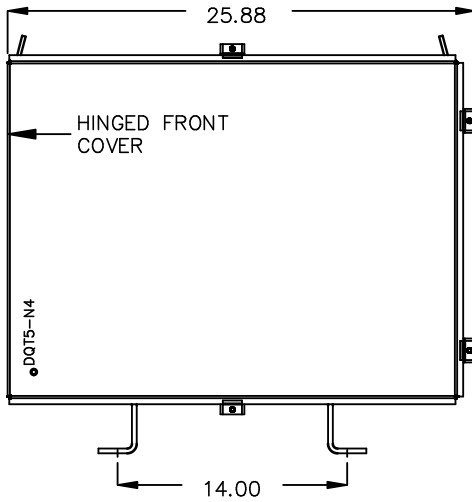
| VOLTS | CURRENT COURANT | % RATED VOLTAGE % TENSION NOMINALE | CONNECTION EACH PHASE CONNECTION PAR PHASE | HAZARDOUS LOCATIONS CLASS 1, DIV 2 GROUPS A, B, C & D TEMPERATURE CODE: T3A |
|-------|-----------------|------------------------------------|--|---|
| 504 | 34.4 | 105 | 1 | HAZARDOUS LOCATIONS CLASS 1, ZONE 2 GROUPS IIC, T3 |
| 480 | 35.2 | 102.5 | 2 | SPACINGS BETWEEN ANY VENTILATED ENCLOSURE PANEL AND ANY ADJACENT WALL SHALL BE A MINIMUM OF 3 INCHES ELECTROSTATIC SHIELD |
| 468 | 36.1 | 100 | 3 | |
| 456 | 37.0 | 97.5 | 4 | |
| 444 | 38.0 | 95 | 5 | |
| 432 | 39.0 | 92.5 | 6 | |
| | 40.1 | 90 | 7 | |

WARNING - EXPLOSION HAZARD. DO NOT DISCONNECT EQUIPMENT WHILE THE CIRCUIT IS LIVE OR UNLESS THE AREA IS FREE OF IGNITABLE CONCENTRATIONS.
 AVERTISSEMENT : RISQUE D'EXPLOSION. NE PAS DÉBRANCHER PENDANT QUE LE CIRCUIT EST SOUS TENSION OU A MOINS QUE L'EMPLACEMENT NE SOIT EXEMPT DE CONCENTRATIONS INFLAMMABLES.

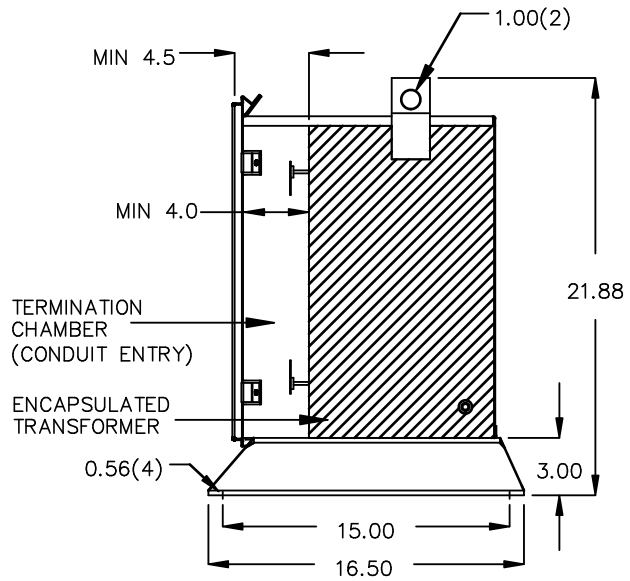
SEISMIC QUALIFICATIONS:
 OSP=0136/IBC 2018/ASCE 7-16
 SDS<=2.0g Z/h=1 p=1.5

d000200bq

FRONT VIEW



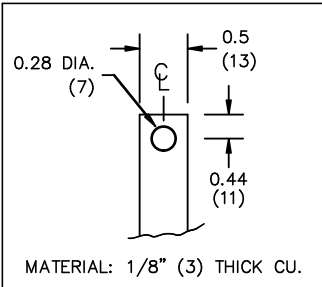
SIDE VIEW



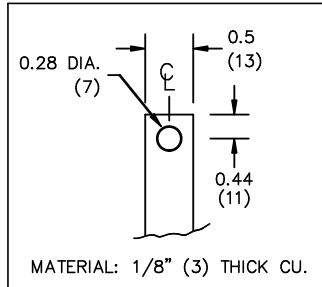
All Dimensions in inches

ENCLOSURE COLOR : ANSI 61 GREY – OUTDOOR

HV TERMINAL DETAIL



LV TERMINAL DETAIL



CUSTOMER NOTES:

- HV TERMINATED AT BOTTOM FRONT
- LV TERMINATED AT TOP FRONT



TITLE: 3PH DISTRIBUTION TRANSFORMER

| | | | | |
|-----|----------|----|----------------|----------------|
| 2 | 21/07/16 | PP | EDB UPDATE | DES: PPLICASSI |
| 1 | 20/03/17 | PP | SEISMIC UPDATE | DATE: 19/01/09 |
| NO. | DATE | BY | REVISION | SCALE: NTS |

SHEET 2 OF 2

EDB TN2A0030KBF