



TITLE: 3PH DISTRIBUTION TRANSFORMER
NAMEPLATE INFORMATION


2	21/07/16	PP	EDB UPDATE	DES: PPICASSI
1	20/03/17	PP	SEISMIC UPDATE	DATE: 19/02/19
NO.	DATE	BY	REVISION	SCALE: NTS

SHEET 1 OF 2

EDB TN2A0015KHKE


2.0 httpd 2026/06/04 04:50

THIS DRAWING CONTAINS STRICTLY CONFIDENTIAL INFORMATION BELONGING TO HAMMOND POWER SOLUTIONS AND MUST NOT BE DISTRIBUTED OUTSIDE AUTHORIZED PARTIES.



POWER SOLUTIONS
Guelph, ONT Compton, CA Baraboo, WI Monterrey, MX

HPS Titan™ N
Dry Type Encapsulated Transformer
Transformateur de Type Sec Encapsul

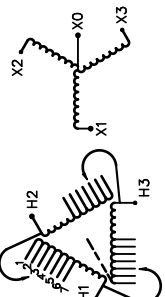


31GW E258346
GENERAL PURPOSE TRANSFORMER FOR USE IN HAZARDOUS LOCATIONS

Part No. **TN2A0015KHKE**

Cust. Ref. / Ref. du Client	Serial No. / No. de Serie
Phase	HV/HT
Type	BIL
Cooling / Refroidissement	Term Bornes
kVA	LV/BT
Temp. Rise / Echauffement	BIL
Temp Class / Classe Temp	Term Bornes
Winding / Enroulement	
Frequency Hz	
Impedance % @ 135°C	
Encl. Type / Type de Coffrage	
Weight / Poids	

VOLTS	CURRENT / COURANT	% RATED VOLTAGE / TENSION NOMINALE	CONNECTION EACH PHASE / CONNECTION PAR PHASE	HAZARDOUS LOCATIONS CLASS 1, DIV 2 GROUPS A, B, C & D TEMPERATURE CODE: T3A
504	17.2	105	1	HAZARDOUS LOCATIONS CLASS 1, ZONE 2 GROUPS IIC, T3
480	17.6	102.5	2	SPACINGS BETWEEN ANY VENTILATED ENCLOSURE PANEL AND ANY ADJACENT WALL SHALL BE A MINIMUM OF 3 INCHES ELECTROSTATIC SHIELD
468	18.0	100	3	
456	18.5	97.5	4	
444	19.0	95	5	
432	19.5	92.5	6	
	20.0	90	7	

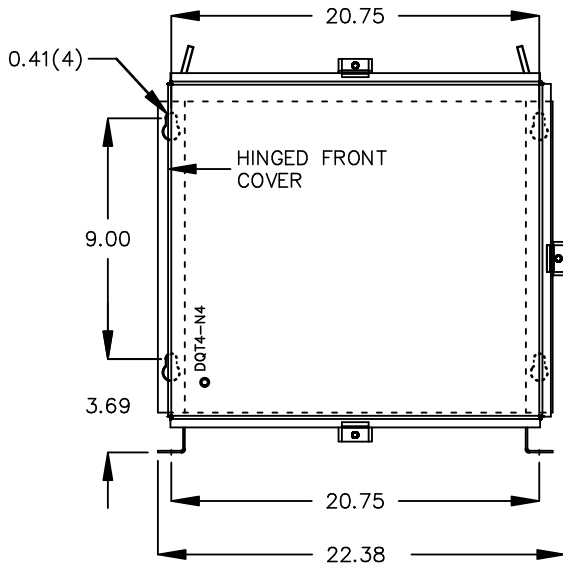


WARNING - EXPLOSION HAZARD. DO NOT DISCONNECT EQUIPMENT WHILE THE CIRCUIT IS LIVE OR UNLESS THE AREA IS FREE OF IGNITABLE CONCENTRATIONS.
AVERTISSEMENT : RISQUE D'EXPLOSION. NE PAS D BRANCHER PENDANT QUE LE CIRCUIT EST SOUS TENSION OU MONS QUE L'EMPLACEMENT NE SOIT EXEMPT DE CONCENTRATIONS INFLAMMABLES.

SEISMIC QUALIFICATIONS:
OSP=0136/IBC 2018/ASCE 7-16
SDS<=2.0g Z/h=1 p=1.5

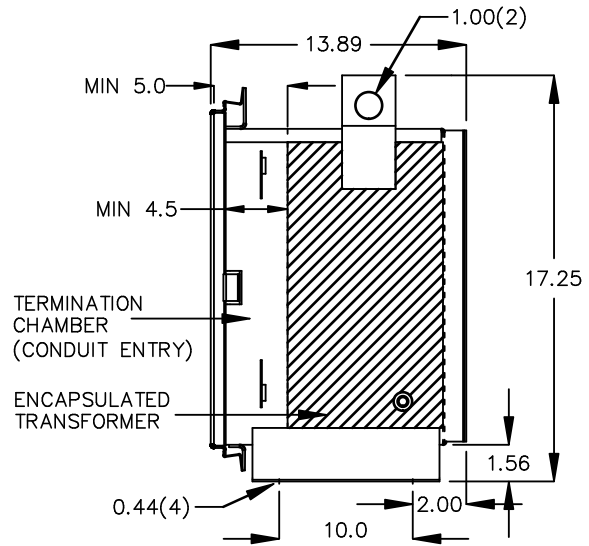
d000200bq

FRONT VIEW



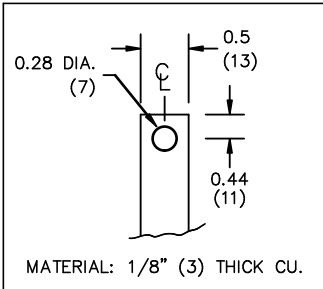
All Dimensions in inches

SIDE VIEW

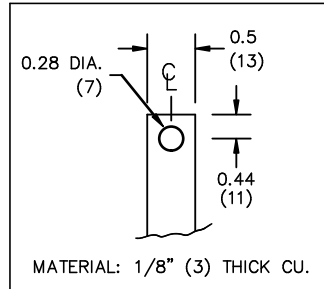


ENCLOSURE COLOR : ANSI 61 GREY – OUTDOOR

HV TERMINAL DETAIL



LV TERMINAL DETAIL



CUSTOMER NOTES:

- HV TERMINATED AT BOTTOM FRONT
- LV TERMINATED AT TOP FRONT



TITLE: 3PH DISTRIBUTION TRANSFORMER

2	21/07/16	PP	EDB UPDATE	DES: PPICASSI
1	20/03/17	PP	SEISMIC UPDATE	DATE: 19/02/19
NO.	DATE	BY	REVISION	SCALE: NTS

SHEET 2 OF 2

EDB TN2A0015KHKF