



TITLE: 3PH DISTRIBUTION TRANSFORMER
NAMEPLATE INFORMATION


NO.	DATE	BY	REVISION	SCALE:
2	21/07/16	PP	EDB UPDATE	DES: PPICASSI
1	20/03/17	PP	SEISMIC UPDATE	DATE: 19/01/09
				SCALE: NTS

SHEET 1 OF 2

EDB TN2A0009PBKF

2.0 httpd 2026/05/22 12:59

THIS DRAWING CONTAINS STRICTLY CONFIDENTIAL INFORMATION BELONGING TO HAMMOND POWER SOLUTIONS AND MUST NOT BE DISTRIBUTED OUTSIDE AUTHORIZED PARTIES.




POWER SOLUTIONS
Guelph, ONT Compton, CA Baraboo, WI
Monterrey, MX

HPS Titan™ N
Dry Type Encapsulated Transformer
Transformateur de Type Sec Encapsulé

Part No. **TN2A0009PBKF**

UL US LISTED
31GW E258346
GENERAL PURPOSE
TRANSFORMER FOR USE IN
HAZARDOUS LOCATIONS



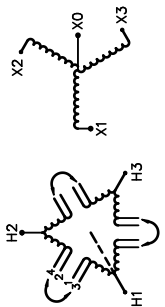
8 03423 15128 7

HAZARDOUS LOCATIONS CLASS 1, DIV 2
GROUPS A, B, C & D
TEMPERATURE CODE: T3A

HAZARDOUS LOCATIONS CLASS 1, ZONE 2
GROUPS IIC, T3
SPACINGS BETWEEN ANY VENTILATED ENCLOSURE PANEL AND
ANY ADJACENT WALL SHALL BE A MINIMUM OF 1 INCHES
ELECTROSTATIC SHIELD

VOLTS	CURRENT COURANT	% RATED VOLTAGE % TENSION NOMINALE	CONNECTION EACH PHASE CONNECTION PAR PHASE
630 600 570	8.2 8.7 9.1	105 100 95	1-2 2-3 3-4

Cust. Ref. Ref. du Client	Serial No. No. de Serie
Phase	HV/HT
Type	BIL
Cooling Refrondissement	Term Bornes
kVA	LV/BT
Temp. Rise Echauffement	BIL
Temp Class Classe Temp	Term Bornes
Winding Enroulement	
Frequency Hz	
Impedance % @ 135°C	
Encl. Type Type de Coffrage	
Weight Poids	

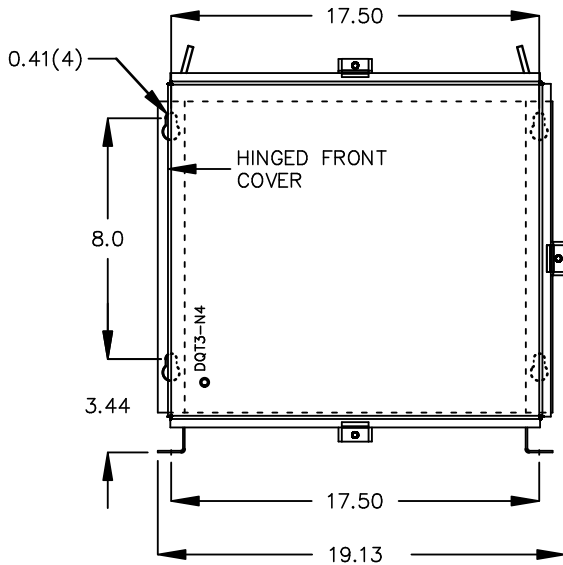


WARNING - EXPLOSION HAZARD. DO NOT DISCONNECT EQUIPMENT WHILE THE CIRCUIT IS LIVE OR UNLESS THE AREA IS FREE OF IGNITABLE CONCENTRATIONS.
AVERTISSEMENT : RISQUE D'EXPLOSION. NE PAS D BRANCHER PENDANT QUE LE CIRCUIT EST SOUS TENSION OU MOINS QUE L'EMPLACEMENT NE SOIT EXEMPT DE CONCENTRATIONS INFLAMMABLES.

SEISMIC QUALIFICATIONS:
OSP=0136/IBC 201B/ASCE 7-16
SDS<=2.0g Z/h=1 p=1.5

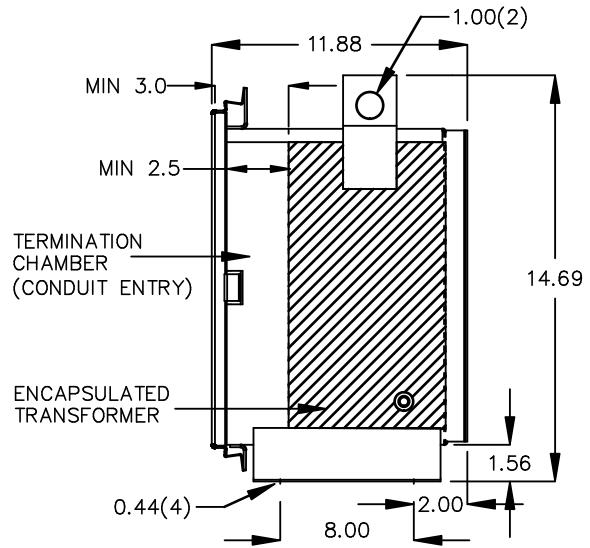
d000200bq

FRONT VIEW



All Dimensions in inches

SIDE VIEW



ENCLOSURE COLOR : ANSI 61 GREY – OUTDOOR

HV TERMINAL DETAIL

LV TERMINAL DETAIL

#14 AWG STRANDED COPPER
WIRE LEADS

#12 AWG STRANDED COPPER
WIRE LEADS

CUSTOMER NOTES:

- HV TERMINATED AT BOTTOM FRONT
- LV TERMINATED AT TOP FRONT



TITLE: 3PH DISTRIBUTION TRANSFORMER

2	21/07/16	PP	EDB UPDATE	DES: PPLICASSI
1	20/03/17	PP	SEISMIC UPDATE	DATE: 19/01/09
NO.	DATE	BY	REVISION	SCALE: NTS

SHEET 2 OF 2

EDB TN2A0009PBF