



TITLE: 3PH DISTRIBUTION TRANSFORMER
NAMEPLATE INFORMATION

NO.	DATE	BY	REVISION	SCALE:
4	21/07/16	PP	EDB UPDATE	DES: PPICASSI
3	20/03/17	PP	SEISMIC UPDATE	DATE: 19/01/09
				SCALE: NTS

SHEET 1 OF 3

EDB TN2A0006QKKF

POWER SOLUTIONS
Guelph, ONT Compton, CA Baraboo, WI
Monterrey, MX

HPS Titan™ N
Dry Type Encapsulated Transformer
Transformateur de Type Sec Encapsulé

UL US LISTED
31GW E258346
GENERAL PURPOSE TRANSFORMER FOR USE IN HAZARDOUS LOCATIONS

Part No. **TN2A0006QKKF**

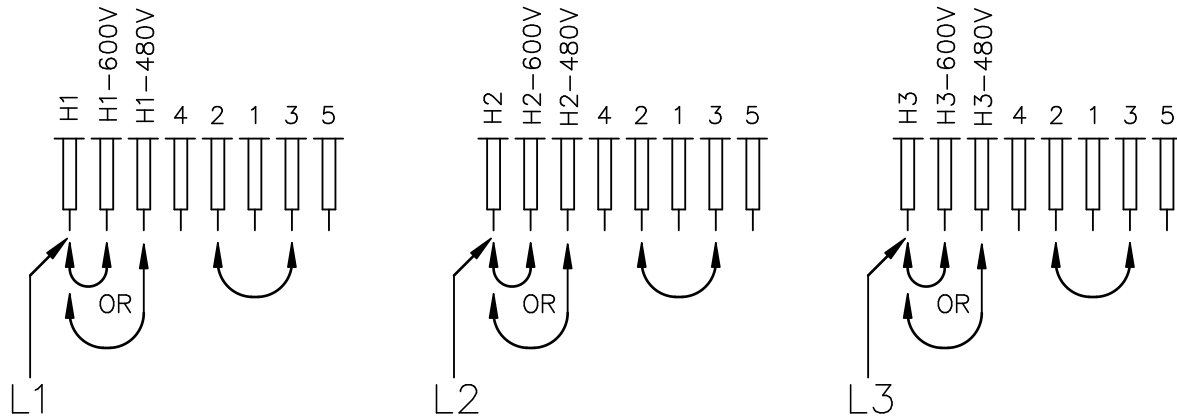
Cust. Ref. Ref. du Client		Serial No. No. de Serie		VOLTS		CONNECTION EACH PHASE CONNEXION PAR PHASE	HAZARDOUS LOCATIONS CLASS 1, DIV 2 GROUPS A, B, C & D TEMPERATURE CODE: T3A
Phase	3	HV/HT	480V/600V	624	7.2/5.8 A	1-2	HAZARDOUS LOCATIONS CLASS 1, ZONE 2 GROUPS IIC, T3
Type	HZQT	BIL	10 kV	600		2-3	SPACINGS BETWEEN ANY VENTILATED ENCLOSURE PANEL AND ANY ADJACENT WALL SHALL BE A MINIMUM OF 1 INCHES ELECTROSTATIC SHIELD
Cooling Refroidissement	ANC	Term Bornes	H1 H2 H3	576		3-4	
kVA	6	LV/BT	480Y/277V	552	7.2A	4-5	
Temp. Rise Echauffement	115 °C	BIL	10 kV	504		1-2	
Temp Class Classe Temp	180 °C	Term Bornes	X0 X1 X2 X3	480		2-3	
Winding Enroulement	CU			456		3-4	
Frequency Hz	60			432		4-5	
Impedance % @ 135 °C	3.7						
Encl. Type Type de Coffrage	4						
Weight Poids	155						

WARNING - EXPLOSION HAZARD. DO NOT DISCONNECT EQUIPMENT WHILE THE CIRCUIT IS LIVE OR UNLESS THE AREA IS FREE OF IGNITABLE CONCENTRATIONS. AVERTISSEMENT : RISQUE D'EXPLOSION. NE PAS D BRANCHER PENDANT QUE LE CIRCUIT EST SOUS TENSION OU MOINS QUE L'EMPLACEMENT NE SOIT EXEMPT DE CONCENTRATIONS INFLAMMABLES.

SEISMIC QUALIFICATIONS:
OSP=0136/IBC 2018/ASCE 7-16
SDS<=2.0g Z/h=1 p=1.5

d000200bq

INPUT (HV) WINDING CONNECTIONS



Rated Voltage	Connect	Input Line Connection	TAP CONNECTIONS		
			Tap %	Tap Voltage	Tap Connection
600V	H1 to H1-600V	H1	104	624V	1 to 2
	H2 to H2-600V	H2	100	600V	2 to 3
	H3 to H3-600V	H3	96	576V	3 to 4
			92	552V	4 to 5

Rated Voltage	Connect	Input Line Connection	TAP CONNECTIONS		
			Tap %	Tap Voltage	Tap Connection
480V	H1 to H1-480V	H1	105	504V	1 to 2
	H2 to H2-480V	H2	100	480V	2 to 3
	H3 to H3-480V	H3	95	456V	3 to 4
			90	432V	4 to 5



TITLE: 3PH DISTRIBUTION TRANSFORMER

4	21/07/16	PP	EDB UPDATE	DES: PPICASSI
3	20/03/17	PP	SEISMIC UPDATE	DATE: 19/01/09
NO.	DATE	BY	REVISION	SCALE: NTS

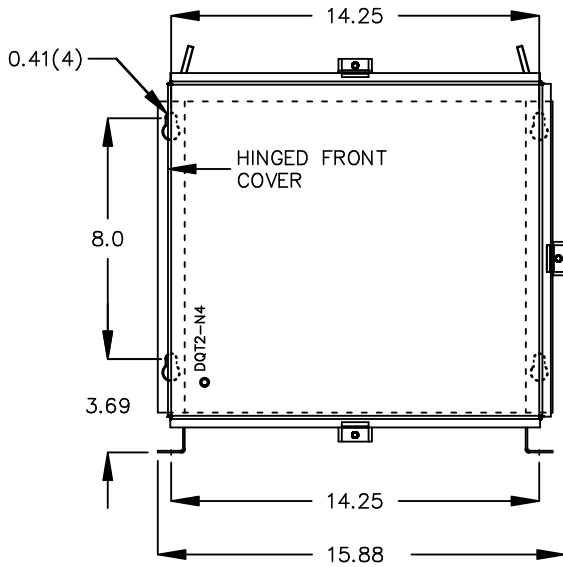
SHEET 2 OF 3

EDB TN2A00006QKKE

4.0 httpd 2026/05/21 13:04

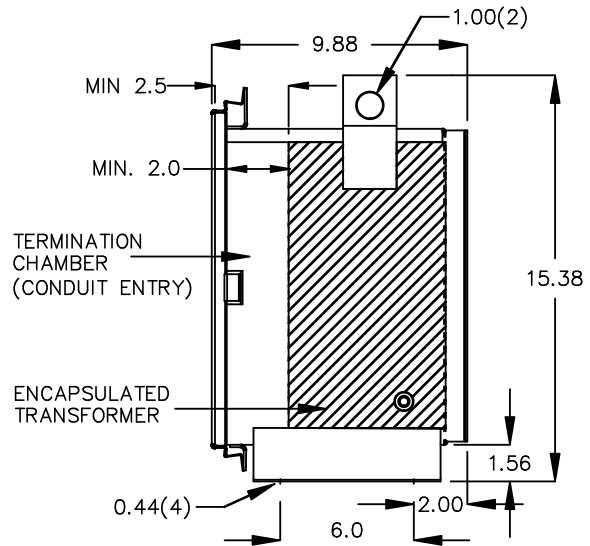
THIS DRAWING CONTAINS STRICTLY CONFIDENTIAL INFORMATION BELONGING TO HAMMOND POWER SOLUTIONS AND MUST NOT BE DISTRIBUTED OUTSIDE AUTHORIZED PARTIES.

FRONT VIEW



All Dimensions in inches

SIDE VIEW



ENCLOSURE COLOR : ANSI 61 GREY – OUTDOOR

HV TERMINAL DETAIL

LV TERMINAL DETAIL

#14 AWG STRANDED COPPER
WIRE LEADS

#14 AWG STRANDED COPPER
WIRE LEADS

CUSTOMER NOTES:

- HV TERMINATED AT BOTTOM FRONT
- LV TERMINATED AT TOP FRONT



TITLE: 3PH DISTRIBUTION TRANSFORMER

4	21/07/16	PP	EDB UPDATE	DES: PPLICASSI
3	20/03/17	PP	SEISMIC UPDATE	DATE: 19/01/09
NO.	DATE	BY	REVISION	SCALE: NTS

SHEET 3 OF 3

EDB TN2A00006QKKE