



TITLE: 3PH DISTRIBUTION TRANSFORMER  
NAMEPLATE INFORMATION


NO.	DATE	BY	REVISION	SCALE:
2	21/07/16	PP	EDB UPDATE	DES: PPICASSI
1	20/03/17	PP	SEISMIC UPDATE	DATE: 19/01/09
				SCALE: NTS

SHEET 1 OF 2

EDB TN2A0006PBKF

2.0 httpd 2026/05/17 06:40


THIS DRAWING CONTAINS STRICTLY CONFIDENTIAL INFORMATION BELONGING TO HAMMOND POWER SOLUTIONS AND MUST NOT BE DISTRIBUTED OUTSIDE AUTHORIZED PARTIES.




**POWER SOLUTIONS**  
Guelph, ONT Compton, CA Baraboo, WI Monterrey, MX

**HPS Titan™ N**  
Dry Type Encapsulated Transformer  
Transformateur de Type Sec Encapsulé

Part No. **TN2A0006PBKF**

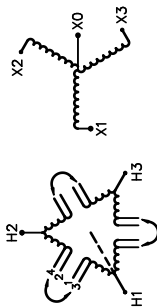


31GW E258346  
GENERAL PURPOSE TRANSFORMER FOR USE IN HAZARDOUS LOCATIONS



8 03423 15127 10

Cust. Ref. Ref. du Client	Serial No. No. de Serie	VOLTS	% RATED VOLTAGE % TENSION NOMINALE	CURRENT COURANT	CONNECTION EACH PHASE CONNECTION PAR PHASE	HAZARDOUS LOCATIONS CLASS 1, DIV 2 GROUPS A, B, C & D TEMPERATURE CODE: T3A
3	HV/HT	600V	105	5.5	1-2	HAZARDOUS LOCATIONS CLASS 1, ZONE 2 GROUPS IIC, T3
Type	BIL	10 kV	100	5.8	2-3	SPACINGS BETWEEN ANY VENTILATED ENCLOSURE PANEL AND ANY ADJACENT WALL SHALL BE A MINIMUM OF 1 INCHES ELECTROSTATIC SHIELD
Cooling Refroidissement	ANC	H1 H2 H3	95	6.1	3-4	
kVA	6	LV/BT				
Temp. Rise Echauffement	115 °C	208Y/120V				
Temp Class Classe Temp	180 °C	10 kV				
Winding Enroulement	CU	Term Bornes				
Frequency Hz	60	LV/BT				
Impedance % @ 135 °C	3.8	X0 X1 X2 X3				
Encl. Type Type de Coffrage	4					
Weight Poids	150 lbs					



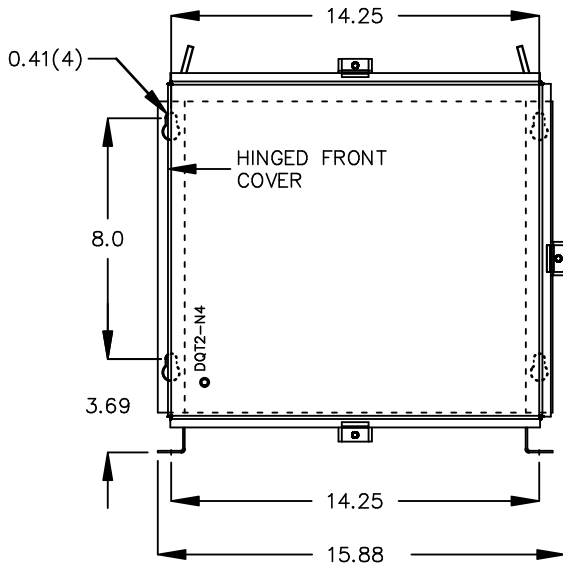
H1 H2 H3 X0 X1 X2 X3

WARNING - EXPLOSION HAZARD. DO NOT DISCONNECT EQUIPMENT WHILE THE CIRCUIT IS LIVE OR UNLESS THE AREA IS FREE OF IGNITABLE CONCENTRATIONS.  
AVERTISSEMENT : RISQUE D'EXPLOSION. NE PAS D BRANCHER PENDANT QUE LE CIRCUIT EST SOUS TENSION OU MOINS QUE L'EMPLACEMENT NE SOIT EXEMPT DE CONCENTRATIONS INFLAMMABLES.

SEISMIC QUALIFICATIONS:  
OSP=0136/IBC 201B/ASCE 7-16  
SDS<=2.0g Z/h=1 p=1.5

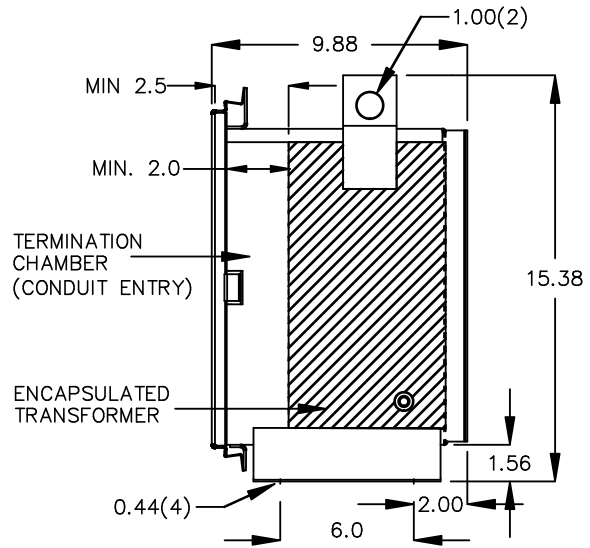
d000200bq

FRONT VIEW



All Dimensions in inches

SIDE VIEW



ENCLOSURE COLOR : ANSI 61 GREY – OUTDOOR

HV TERMINAL DETAIL

LV TERMINAL DETAIL

#14 AWG STRANDED COPPER  
WIRE LEADS

#12 AWG STRANDED COPPER  
WIRE LEADS

CUSTOMER NOTES:

- HV TERMINATED AT BOTTOM FRONT
- LV TERMINATED AT TOP FRONT



TITLE: 3PH DISTRIBUTION TRANSFORMER

2	21/07/16	PP	EDB UPDATE	DES: PPLICASSI
1	20/03/17	PP	SEISMIC UPDATE	DATE: 19/01/09
NO.	DATE	BY	REVISION	SCALE: NTS

SHEET 2 OF 2

EDB TN2A0006PBF