



TITLE: 3PH DISTRIBUTION TRANSFORMER  
NAMEPLATE INFORMATION


2	21/07/16	PP	EDB UPDATE	DES: PPICASSI
1	20/03/17	PP	SEISMIC UPDATE	DATE: 19/01/09
NO.	DATE	BY	REVISION	SCALE: NTS

SHEET 1 OF 2

EDB TN2A0006KBKF

2.0 httpd 2026/04/03 18:46

THIS DRAWING CONTAINS STRICTLY CONFIDENTIAL INFORMATION BELONGING TO HAMMOND POWER SOLUTIONS AND MUST NOT BE DISTRIBUTED OUTSIDE AUTHORIZED PARTIES.



**POWER SOLUTIONS**  
Guelph, ONT Compton, CA Baraboo, WI Monterrey, MX

**HPS Titan™ N**  
Dry Type Encapsulated Transformer  
Transformateur de Type Sec Encapsulé

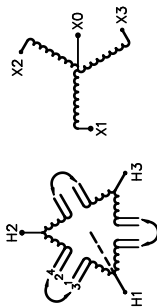
**UL** US LISTED  
31GW E258346  
GENERAL PURPOSE TRANSFORMER FOR USE IN HAZARDOUS LOCATIONS BUILT TO ABS STANDARD



8 03423 15097 16

0000200bq

Cust. Ref. Ref. du Client	Serial No. No. de Serie	VOLTS	% RATED VOLTAGE % TENSION NOMINALE	CURRENT COURANT	CONNECTION EACH PHASE CONNEXION PAR PHASE	HAZARDOUS LOCATIONS CLASS 1, DIV 2 GROUPS A, B, C & D TEMPERATURE CODE: T3A
3	HV/HT	504 480 456	105 100 95	6.9 7.2 7.6	1-2 2-3 3-4	HAZARDOUS LOCATIONS CLASS 1, ZONE 2 GROUPS IIC, T3 SPACINGS BETWEEN ANY VENTILATED ENCLOSURE PANEL AND ANY ADJACENT WALL SHALL BE A MINIMUM OF 1 INCHES ELECTROSTATIC SHIELD
Type	BIL	10 kV				
Cooling Refroidissement	ANC	H1 H2 H3				
kVA	6	LV/BT				
Temp. Rise Echauffement	115 °C	208Y/120V				
Temp Class Classe Temp	180 °C	BIL				
Winding Enroulement	CU	Term Bornes				
Frequency Hz	60					
Impedance % @ 135 °C	3.8					
Encl. Type Type de Coffrage	4					
Weight Poids	145 lbs					

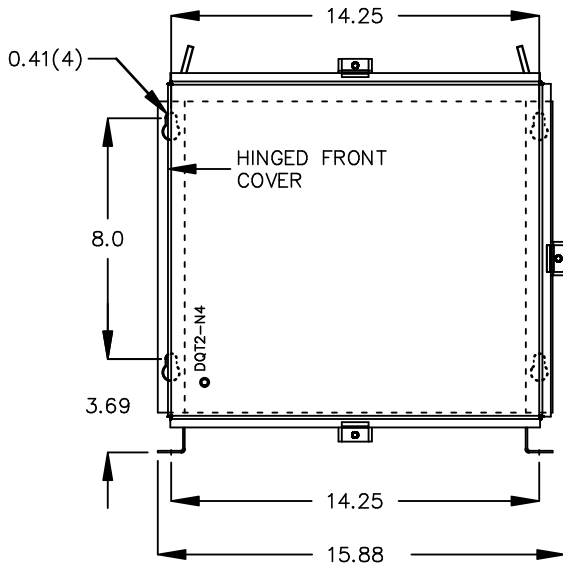


H1 H2 H3 X0 X1 X2 X3

WARNING - EXPLOSION HAZARD. DO NOT DISCONNECT EQUIPMENT WHILE THE CIRCUIT IS LIVE OR UNLESS THE AREA IS FREE OF IGNITABLE CONCENTRATIONS.  
AVERTISSEMENT : RISQUE D'EXPLOSION. NE PAS DÉBRANCHER PENDANT QUE LE CIRCUIT EST SOUS TENSION OU A MOINS QUE L'EMPLACEMENT NE SOIT EXEMPT DE CONCENTRATIONS INFLAMMABLES.

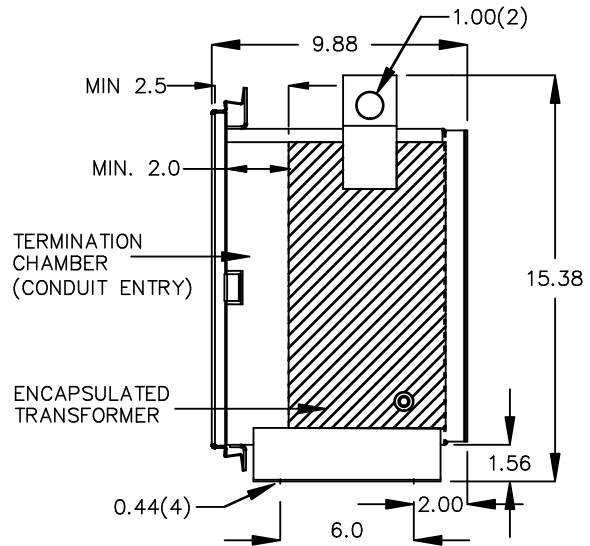
SEISMIC QUALIFICATIONS:  
OSP=0136/IBC 201B/ASCE 7-16  
SDS<=2.0g Z/h=1 p=1.5

FRONT VIEW



All Dimensions in inches

SIDE VIEW



ENCLOSURE COLOR : ANSI 61 GREY – OUTDOOR

HV TERMINAL DETAIL

LV TERMINAL DETAIL

#14 AWG STRANDED COPPER  
WIRE LEADS

#12 AWG STRANDED COPPER  
WIRE LEADS

CUSTOMER NOTES:

- HV TERMINATED AT BOTTOM FRONT
- LV TERMINATED AT TOP FRONT



TITLE: 3PH DISTRIBUTION TRANSFORMER

2	21/07/16	PP	EDB UPDATE	DES: PPICASSI
1	20/03/17	PP	SEISMIC UPDATE	DATE: 19/01/09
NO.	DATE	BY	REVISION	SCALE: NTS

SHEET 2 OF 2

EDB TN2A00006KBF