



TITLE: 3PH DISTRIBUTION TRANSFORMER
NAMEPLATE INFORMATION


| | | | | |
|-----|----------|----|----------------|----------------|
| NO. | DATE | BY | REVISION | SCALE: |
| 2 | 21/07/16 | PP | EDB UPDATE | DES: PPICASSI |
| 1 | 20/03/17 | PP | SEISMIC UPDATE | DATE: 19/01/09 |
| | | | | SCALE: NTS |

SHEET 1 OF 2

EDB TN2A0003PBKA

2.0 httpd 2026/06/24 22:35


THIS DRAWING CONTAINS STRICTLY CONFIDENTIAL INFORMATION BELONGING TO HAMMOND POWER SOLUTIONS AND MUST NOT BE DISTRIBUTED OUTSIDE AUTHORIZED PARTIES.



POWER SOLUTIONS
Guelph, ONT Compton, CA Baraboo, WI Monterrey, MX

HPS Titan™ N
Dry Type Encapsulated Transformer
Transformateur de Type Sec Encapsulé
Part No. TN2A0003PBKA

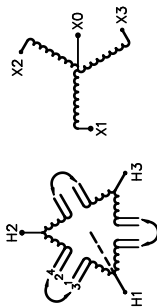
UL US LISTED
31GW E258346
GENERAL PURPOSE TRANSFORMER FOR USE IN HAZARDOUS LOCATIONS



8 03423 15231 4

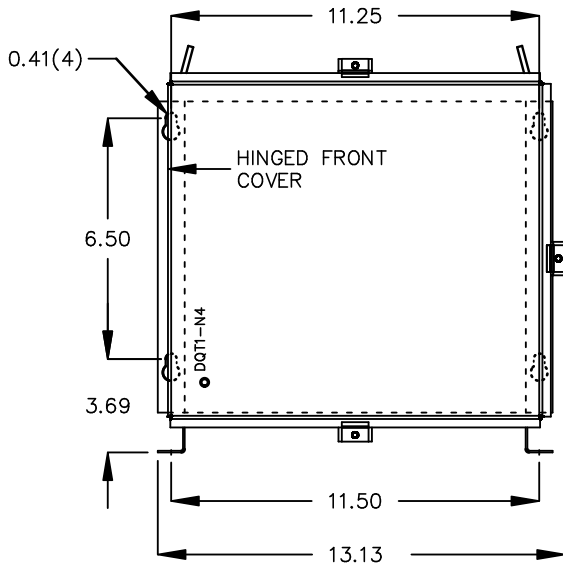
d000200bq

| | | | | | | |
|--------------------------------|----------------------------|----------------|--------------------|----------------------------------|---|---|
| Cust. Ref. Ref. du Client | Serial No. No. de Serie | VOLTS | CURRENT COURANT | % RATED % TENSION NOMINALE | CONNECTION EACH PHASE CONNECTION PAR PHASE | HAZARDOUS LOCATIONS CLASS 1, DIV 2 GROUPS A, B, C & D TEMPERATURE CODE: T3C |
| 3 | HV/HT | 600V | 2.7 2.9 3.0 | 105 100 95 | 1-2 2-3 3-4 | HAZARDOUS LOCATIONS CLASS 1, ZONE 2 GROUPS IIC, T3 ELECTROSTATIC SHIELD |
| Type | BIL | | | | | |
| Cooling Refrondissement | Term Bornes | H1 H2 H3 | | | | |
| kVA | LV/BT | 208Y/120V 8.3A | | | | |
| Temp. Rise Echauffement | BIL | | | | | |
| Temp Class Classe Temp | Term Bornes | X0 X1 X2 X3 | | | | |
| Winding Enroulement | | | | | | |
| Frequency Hz | | | | | | |
| Impedance % @ 100 °C | | | | | | |
| Encl. Type Type de Coffrage | | | | | | |
| Weight Poids | | | | | | |
| | | | | | | |



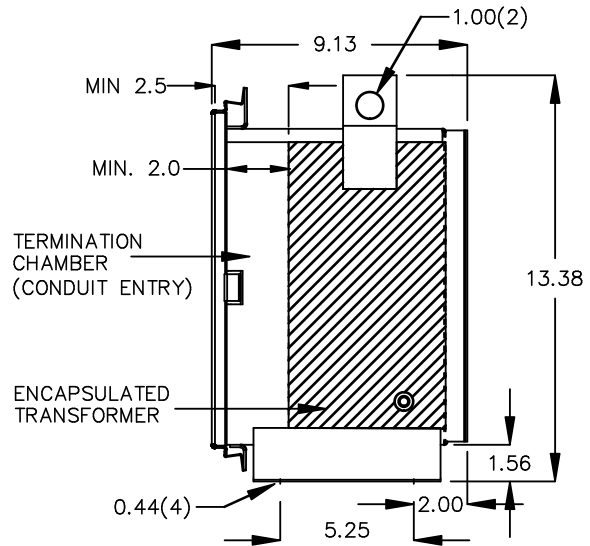
WARNING - EXPLOSION HAZARD. DO NOT DISCONNECT EQUIPMENT WHILE THE CIRCUIT IS LIVE OR UNLESS THE AREA IS FREE OF IGNITABLE CONCENTRATIONS.
AVERTISSEMENT : RISQUE D'EXPLOSION. NE PAS D'BRANCHER PENDANT QUE LE CIRCUIT EST SOUS TENSION OU MOINS QUE L'EMPLACEMENT NE SOIT EXEMPT DE CONCENTRATIONS INFLAMMABLES.
SEISMIC QUALIFICATIONS:
AS FLOOR MOUNT ONLY
IBC 2018/ASCE 7-16
SDS<=2.0g Z/h=0 Ip=1.5

FRONT VIEW



All Dimensions in inches

SIDE VIEW



ENCLOSURE COLOR : ANSI 61 GREY – OUTDOOR

H.V.1. TERMINAL DETAIL

L.V.1. TERMINAL DETAIL

#14 AWG STRANDED COPPER
WIRE LEADS

#14 AWG STRANDED COPPER
WIRE LEADS

CUSTOMER NOTES:

- HV1 TERMINATED AT BOTTOM FRONT
- LV1 TERMINATED AT TOP FRONT



TITLE: 3PH DISTRIBUTION TRANSFORMER

| | | | | |
|-----|----------|----|----------------|----------------|
| 2 | 21/07/16 | PP | EDB UPDATE | DES: PPLICASSI |
| 1 | 20/03/17 | PP | SEISMIC UPDATE | DATE: 19/01/09 |
| NO. | DATE | BY | REVISION | SCALE: NTS |

SHEET 2 OF 2

EDB TN2A0003PBKA