



TITLE: 3PH DISTRIBUTION TRANSFORMER  
NAMEPLATE INFORMATION


NO.	DATE	BY	REVISION	SCALE:
2	21/07/16	PP	EDB UPDATE	DES: WWONG
1	20/03/17	PP	SEISMIC UPDATE	DATE: 19/04/25
				SCALE: NTS

SHEET 1 OF 2

EDB TN2A0003KHKA

2.0 httpd 2026/04/04 00:12

THIS DRAWING CONTAINS STRICTLY CONFIDENTIAL INFORMATION BELONGING TO HAMMOND POWER SOLUTIONS AND MUST NOT BE DISTRIBUTED OUTSIDE AUTHORIZED PARTIES.




**POWER SOLUTIONS**  
Guelph, ONT Compton, CA Baraboo, WI  
Monterrey, MX

**HPS Titan™ N**  
Dry Type Encapsulated Transformer  
Transformateur de Type Sec Encapsulé

Part No. TN2A0003KHKA

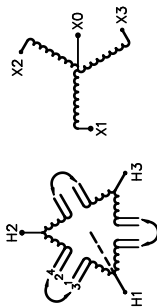
**UL** US LISTED  
31GW E258346  
GENERAL PURPOSE TRANSFORMER FOR USE IN HAZARDOUS LOCATIONS  
BUILT TO ABS STANDARD



8 03423 15230 7

HAZARDOUS LOCATIONS CLASS 1, DIV 2  
GROUPS A, B, C & D  
TEMPERATURE CODE: T3C  
HAZARDOUS LOCATIONS CLASS 1, ZONE 2  
GROUPS IIC, T3  
ELECTROSTATIC SHIELD  
TEMPERATURE CLASSIFICATION: T3C

Cust. Ref. Ref. du Client	Serial No. No. de Serie	VOLTS	CONNECTION EACH PHASE CONNECTION PAR PHASE
3	HV/HT	504 480 456	1-2 2-3 3-4
Phase	BIL	% RATED VOLTAGE % TENSION NOMINALE	
Type	Term Bornes	105 100 95	
Cooling Refrondissement	LV/BT	CURRENT COURANT	
kVA	400Y/231V	3.4 3.6 3.8	
Temp. Rise Echauffement	BIL		
Temp Class Classe Temp	Term Bornes		
Winding Enroulement	10KV kV		
Frequency Hz	X0 X1 X2 X3		
Impedance % @ 100 °C			
Encl. Type Type de Coffrage			
Weight lbs/kg Poids			
	68/31		



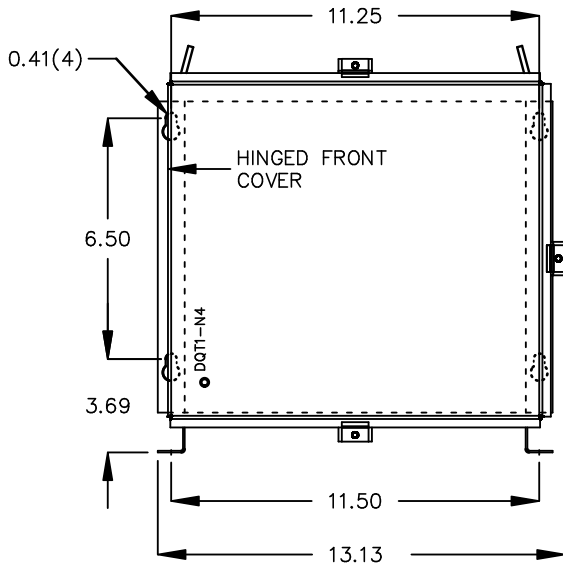
H1 H2 H3 X0 X1 X2 X3

WARNING - EXPLOSION HAZARD. DO NOT DISCONNECT EQUIPMENT WHILE THE CIRCUIT IS LIVE OR UNLESS THE AREA IS FREE OF IGNITABLE CONCENTRATIONS.  
AVERTISSEMENT : RISQUE D'EXPLOSION. NE PAS DÉBRANCHER PENDANT QUE LE CIRCUIT EST SOUS TENSION OU À MOINS QUE L'EMPLACEMENT NE SOIT EXEMPT DE CONCENTRATIONS INFLAMMABLES.

SEISMIC QUALIFICATIONS:  
OSP=0136/IBC 201B/ASCE 7-16  
SDS<=2.0g Z/h=1 p=1.5

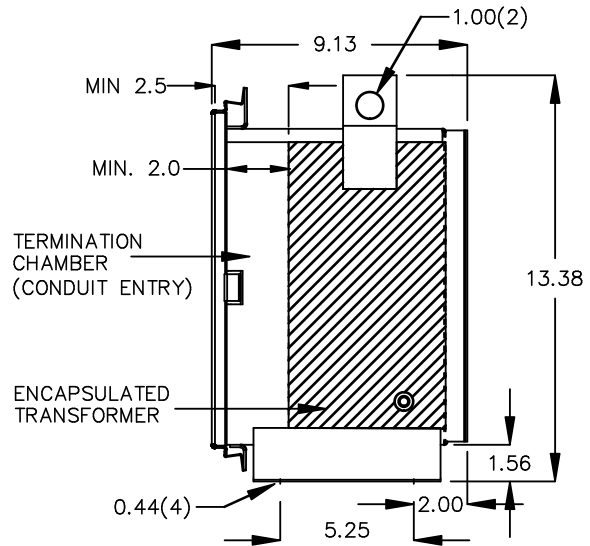
d000200bq

FRONT VIEW



All Dimensions in inches

SIDE VIEW



ENCLOSURE COLOR : ANSI 61 GREY – OUTDOOR

H.V.1. TERMINAL DETAIL

L.V.1. TERMINAL DETAIL

#14 AWG STRANDED COPPER  
WIRE LEADS

#14 AWG STRANDED COPPER  
WIRE LEADS

CUSTOMER NOTES:

- HV1 TERMINATED AT BOTTOM FRONT
- LV1 TERMINATED AT TOP FRONT



TITLE: 3PH DISTRIBUTION TRANSFORMER

2	21/07/16	PP	EDB UPDATE	DES: WWONG
1	20/03/17	PP	SEISMIC UPDATE	DATE: 19/04/25
NO.	DATE	BY	REVISION	SCALE: NTS

SHEET 2 OF 2

EDB TN2A0003KHKA