



TITLE: HPS TITAN ENCAPSULATED TRANSFORMER  
NAMEPLATE INFORMATION


3	21/07/16	PP	EDB UPDATE	DES: PPLICASSI
2	20/03/17	PP	SEISMIC UPDATE	DATE: 19/01/09
NO.	DATE	BY	REVISION	SCALE: NTS

SHEET 1 OF 3

EDB TN2A0002QKKA

3.0 httpd 2026/04/02 20:08

THIS DRAWING CONTAINS STRICTLY CONFIDENTIAL INFORMATION BELONGING TO HAMMOND POWER SOLUTIONS AND MUST NOT BE DISTRIBUTED OUTSIDE AUTHORIZED PARTIES.




**POWER SOLUTIONS**  
Guelph, ONT Compton, CA Baraboo, WI Monterrey, MX

**HPS Titan™ N**  
Dry Type Encapsulated Transformer  
Transformateur de Type Sec Encapsulé

Part No. **TN2A0002QKKA**

**UL** LISTED  
31GW E258346  
GENERAL PURPOSE TRANSFORMER FOR USE IN HAZARDOUS LOCATIONS  
BUILT TO ABS STANDARD



8 03423 15228 4

HAZARDOUS LOCATIONS CLASS 1, DIV 2  
GROUPS A, B, C & D  
TEMPERATURE CODE: T3C  
HAZARDOUS LOCATIONS CLASS 1, ZONE 2  
GROUPS IIC, T3  
ELECTROSTATIC SHIELD

Serial No. No. de Serie	HV/HT	480V/600V	1.9A	CONNECTION EACH PHASE CONNECTION PAR PHASE
3	BIL	10 kV	2.3	1-2
HZQT	Term Bornes	H1 H2 H3	2.4	2-3
ANC	LV/BT	480Y/277V	2.5	3-4
2	80 °C	10 kV	2.7	4-5
Temp. Rise Echauffement	Term Bornes	X0 X1 X2 X3	1.8	1-2
130 °C	CU		1.9	2-3
Classe Temp	60		2.0	3-4
Winding Enroulement	4.6		2.1	4-5
Frequency Hz	4			
Impedance % @ 100 °C	50			
Encl. Type Type de Coffrage				
Weight Poids				

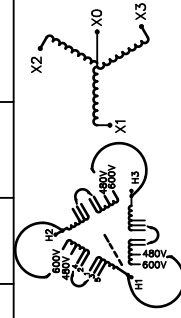
**VOLTS**

504	105	104
480	100	100
456	95	96
432	90	92

**CURRENT COURANT**

2.3	104	104
2.4	100	100
2.5	95	96
2.7	90	92

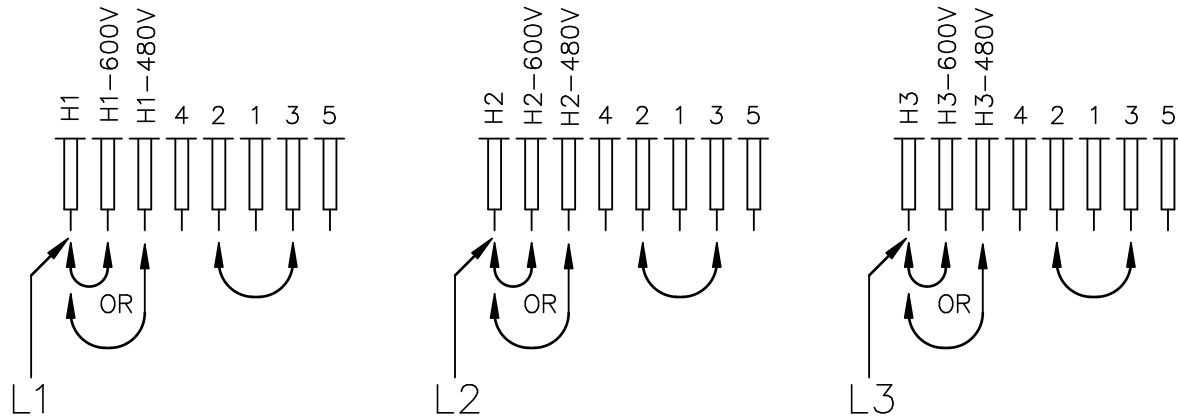
**% RATED VOLTAGE % TENSION NOMINALE**



WARNING - EXPLOSION HAZARD. DO NOT DISCONNECT EQUIPMENT WHILE THE CIRCUIT IS LIVE OR UNLESS THE AREA IS FREE OF IGNITABLE CONCENTRATIONS.  
AVERTISSEMENT : RISQUE D'EXPLOSION. NE PAS DÉBRANCHER PENDANT QUE LE CIRCUIT EST SOUS TENSION OU À MOINS QUE L'EMPLACEMENT NE SOIT EXEMPT DE CONCENTRATIONS INFLAMMABLES.  
SEISMIC QUALIFICATIONS:  
AS FLOOR MOUNT ONLY  
IBC 2018/ASCE 7-16  
SDS<=2.0g Z/h=0 Ip=1.5

d000200bq

## INPUT (HV) WINDING CONNECTIONS



Rated Voltage	Connect	Input Line Connection	TAP CONNECTIONS		
			Tap %	Tap Voltage	Tap Connection
600V	H1 to H1-600V	H1	104	624V	1 to 2
	H2 to H2-600V	H2	100	600V	2 to 3
	H3 to H3-600V	H3	96	576V	3 to 4
			92	552V	4 to 5

Rated Voltage	Connect	Input Line Connection	TAP CONNECTIONS		
			Tap %	Tap Voltage	Tap Connection
480V	H1 to H1-480V	H1	105	504V	1 to 2
	H2 to H2-480V	H2	100	480V	2 to 3
	H3 to H3-480V	H3	95	456V	3 to 4
			90	432V	4 to 5



TITLE: HPS TITAN ENCAPSULATED TRANSFORMER

3	21/07/16	PP	EDB UPDATE	DES: PPLICASSI
2	20/03/17	PP	SEISMIC UPDATE	DATE: 19/01/09
NO.	DATE	BY	REVISION	SCALE: NTS

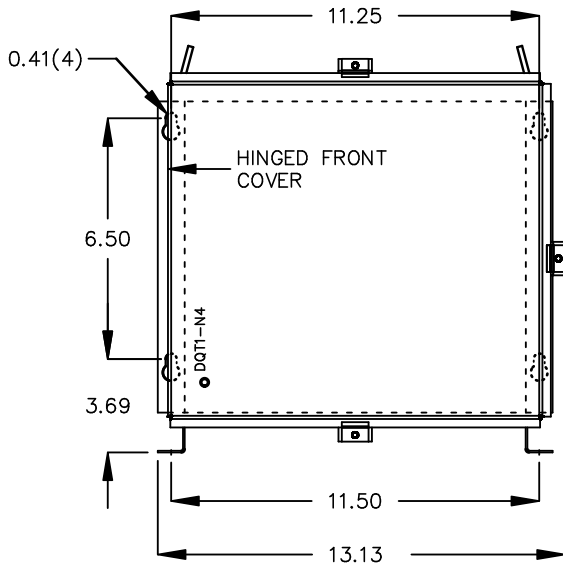
SHEET 2 OF 3

EDB TN2A00020KKA

3.0 httpd 2026/04/02 20:08

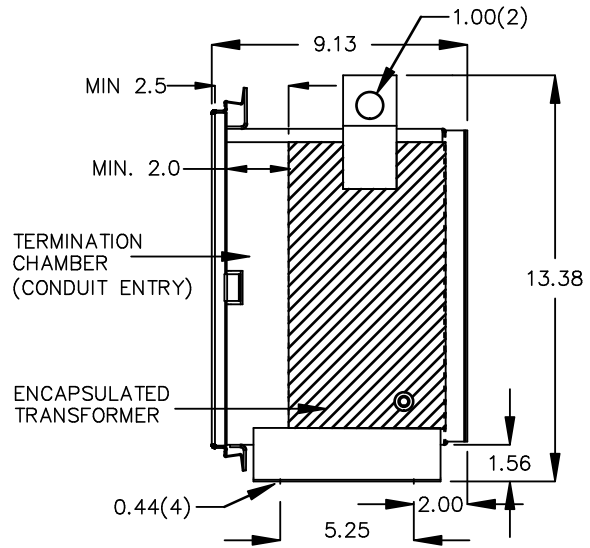
THIS DRAWING CONTAINS STRICTLY CONFIDENTIAL INFORMATION BELONGING TO HAMMOND POWER SOLUTIONS AND MUST NOT BE DISTRIBUTED OUTSIDE AUTHORIZED PARTIES.

FRONT VIEW



All Dimensions in inches

SIDE VIEW



ENCLOSURE COLOR : ANSI 61 GREY – OUTDOOR

H.V.1. TERMINAL DETAIL

L.V.1. TERMINAL DETAIL

#14 AWG STRANDED COPPER  
WIRE LEADS

#14 AWG STRANDED COPPER  
WIRE LEADS

CUSTOMER NOTES:

- HV1 TERMINATED AT BOTTOM FRONT
- LV1 TERMINATED AT TOP FRONT



TITLE: HPS TITAN ENCAPSULATED TRANSFORMER

3	21/07/16	PP	EDB UPDATE	DES: PPICASSI
2	20/03/17	PP	SEISMIC UPDATE	DATE: 19/01/09
NO.	DATE	BY	REVISION	SCALE: NTS

SHEET 3 OF 3

EDB TN2A00020KKA