



TITLE: HPS TITAN ENCAPSULATED TRANSFORMER
NAMEPLATE INFORMATION


NO.	DATE	BY	REVISION	SCALE:
2	21/07/16	PP	EDB UPDATE	DES: PPICASSI
1	20/03/17	PP	SEISMIC UPDATE	DATE: 19/01/09
				SCALE: NTS

SHEET 1 OF 2

EDB TN2A0002PBKA

2.0 httpd 2026/06/04 03:41


THIS DRAWING CONTAINS STRICTLY CONFIDENTIAL INFORMATION BELONGING TO HAMMOND POWER SOLUTIONS AND MUST NOT BE DISTRIBUTED OUTSIDE AUTHORIZED PARTIES.



POWER SOLUTIONS
Guelph, ONT Compton, CA Baraboo, WI
Monterrey, MX

HPS Titan™ N
Dry Type Encapsulated Transformer
Transformateur de Type Sec Encapsulé
Part No. TN2A0002PBKA

UL LISTED
31GW E258346
GENERAL PURPOSE
TRANSFORMER FOR USE IN
HAZARDOUS LOCATIONS



8 03423 15227 17

HAZARDOUS LOCATIONS CLASS 1, DIV 2
GROUPS A, B, C & D
TEMPERATURE CODE: T3C
HAZARDOUS LOCATIONS CLASS 1, ZONE 2
GROUPS IIC, T3
ELECTROSTATIC SHIELD

VOLTS	CURRENT COURANT	% RATED % TENSION NOMINALE	CONNECTION EACH PHASE CONNECTION PAR PHASE	HAZARDOUS LOCATIONS CLASS 1, DIV 2 GROUPS A, B, C & D TEMPERATURE CODE: T3C HAZARDOUS LOCATIONS CLASS 1, ZONE 2 GROUPS IIC, T3 ELECTROSTATIC SHIELD
630 600 570	1.8 1.9 2.0	105 100 95	1-2 2-3 3-4	

Cust. Ref. [] Ref. du Client [] Serial No. [] No. de Serie []

Phase 3 HV/HT

Type HZQT BIL 10 kV

Cooling Refroidissement ANC Term Bornes H1 H2 H3

kVA 2 LV/BT 208Y/120V 5.6A

Temp. Rise Echauffement 80 °C BIL 10 kV

Temp Class Classe Temp 130 °C Term Bornes X0 X1 X2 X3

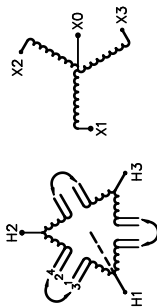
Winding Enroulement CU

Frequency Hz 60

Impedance % @ 100 °C 4.7

Encl. Type Type de Coffrage 4

Weight Poids lbs 50

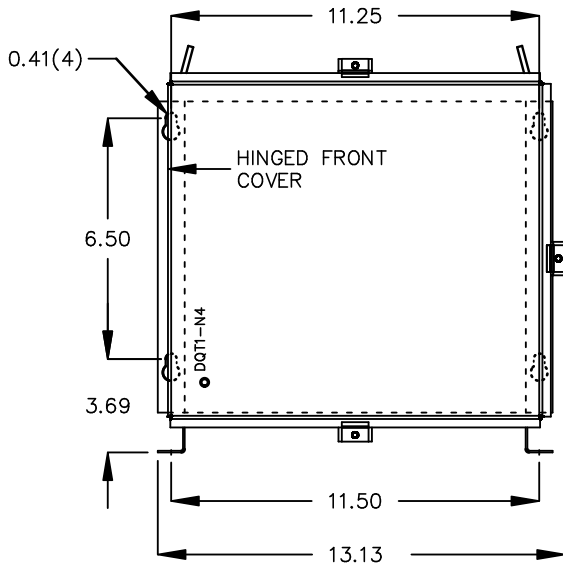


H1 H2 H3 X0 X1 X2 X3

WARNING - EXPLOSION HAZARD. DO NOT DISCONNECT EQUIPMENT WHILE THE CIRCUIT IS LIVE OR UNLESS THE AREA IS FREE OF IGNITABLE CONCENTRATIONS.
AVERTISSEMENT : RISQUE D'EXPLOSION. NE PAS D BRANCHER PENDANT QUE LE CIRCUIT EST SOUS TENSION OU MOINS QUE L'EMPLACEMENT NE SOIT EXEMPT DE CONCENTRATIONS INFLAMMABLES.
SEISMIC QUALIFICATIONS:
AS FLOOR MOUNT ONLY
IBC 2018/ASCE 7-16
SDS<=2.0g Z/h=0 Ip=1.5

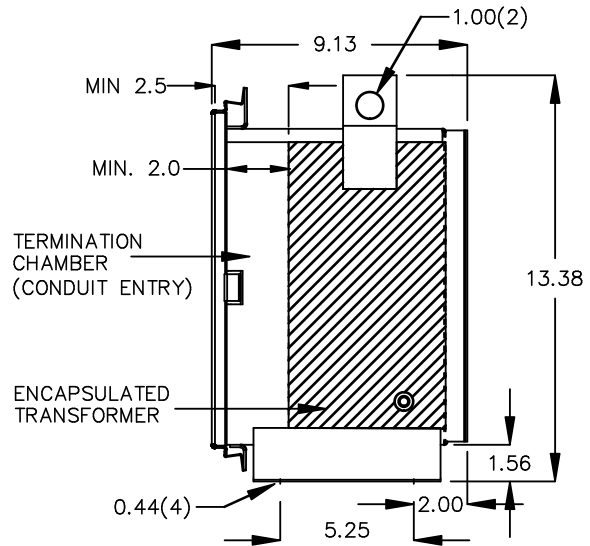
d000200bq

FRONT VIEW



All Dimensions in inches

SIDE VIEW



ENCLOSURE COLOR : ANSI 61 GREY – OUTDOOR

H.V.1. TERMINAL DETAIL

L.V.1. TERMINAL DETAIL

#14 AWG STRANDED COPPER
WIRE LEADS

#14 AWG STRANDED COPPER
WIRE LEADS

CUSTOMER NOTES:

- HV1 TERMINATED AT BOTTOM FRONT
- LV1 TERMINATED AT TOP FRONT



TITLE: HPS TITAN ENCAPSULATED TRANSFORMER

2	21/07/16	PP	EDB UPDATE	DES: PPLICASSI
1	20/03/17	PP	SEISMIC UPDATE	DATE: 19/01/09
NO.	DATE	BY	REVISION	SCALE: NTS

SHEET 2 OF 2

EDB TN2A0002PBKA