



TITLE: HPS TITAN ENCAPSULATED TRANSFORMER  
NAMEPLATE INFORMATION


1	21/07/16	PP	EDB UPDATE	DES: LCEN
NO.	DATE	BY	REVISION	SCALE: NTS

SHEET 1 OF 2

EDB TN2A0002KHKA

1.0 httpd 2026/06/25 00:03


THIS DRAWING CONTAINS STRICTLY CONFIDENTIAL INFORMATION BELONGING TO HAMMOND POWER SOLUTIONS AND MUST NOT BE DISTRIBUTED OUTSIDE AUTHORIZED PARTIES.




**POWER SOLUTIONS**  
Guelph, ONT Compton, CA Baraboo, WI  
Monterrey, MX

**HPS Titan™ N**  
Dry Type Encapsulated Transformer  
Transformateur de Type Sec Encapsulé

Part No. TN2A0002KHKA

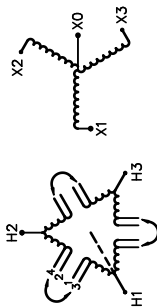


31GW E258346  
GENERAL PURPOSE TRANSFORMER FOR USE IN HAZARDOUS LOCATIONS



8 03423 15226 10

Cust. Ref. Ref. du Client	Serial No. No. de Serie	VOLTS	% RATED VOLTAGE % TENSION NOMINALE	CURRENT COURANT	CONNECTION EACH PHASE CONNEXION PAR PHASE	HAZARDOUS LOCATIONS CLASS 1, DIV 2 GROUPS A, B, C & D TEMPERATURE CODE: T3C
3	HV/HT	480V	105	2.2	1-2	HAZARDOUS LOCATIONS CLASS 1, ZONE 2 GROUPS IIC, T3 ELECTROSTATIC SHIELD
Type	BIL	10 kV	100	2.3	2-3	
Cooling Refrondissement	Term Bornes	H1 H2 H3	95	2.4	3-4	
kVA	LV/BT	400Y/231V				
Temp. Rise Echauffement	BIL	10 kV				
Temp Class Classe Temp	Term Bornes	X0 X1 X2 X3				
Winding Enroulement						
Frequency Hz						
Impedance % @ 100 °C						
Encl. Type Type de Coffrage						
Weight lbs/kg Poids						

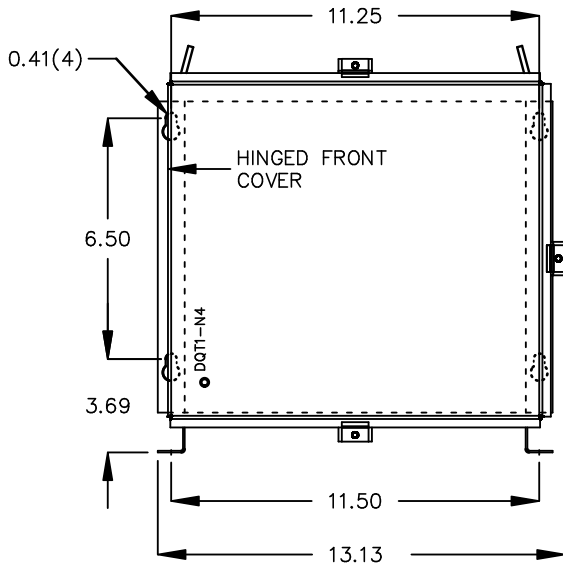


WARNING - EXPLOSION HAZARD. DO NOT DISCONNECT EQUIPMENT WHILE THE CIRCUIT IS LIVE OR UNLESS THE AREA IS FREE OF IGNITABLE CONCENTRATIONS.  
AVERTISSEMENT : RISQUE D'EXPLOSION. NE PAS D BRANCHER PENDANT QUE LE CIRCUIT EST SOUS TENSION OU MOINS QUE L'EMPLACEMENT NE SOIT EXEMPT DE CONCENTRATIONS INFLAMMABLES.

SEISMIC QUALIFICATIONS:  
OSP=0136/IBC 201B/ASCE 7-16  
SDS<=2.0g Z/h=1 p=1.5

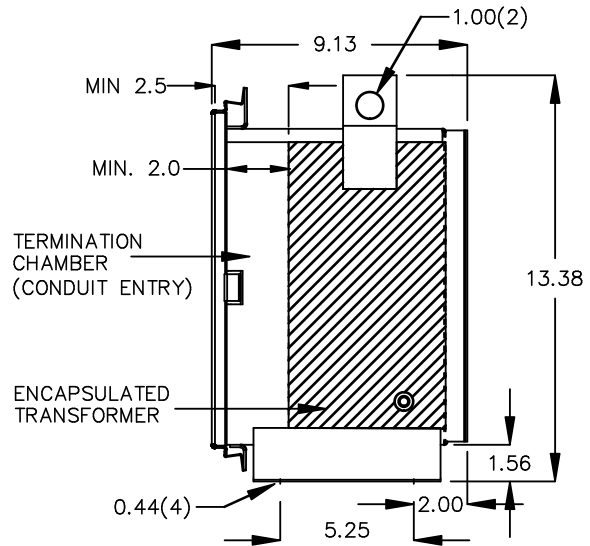
d000200bq

FRONT VIEW



All Dimensions in inches

SIDE VIEW



ENCLOSURE COLOR : ANSI 61 GREY – OUTDOOR

H.V.1. TERMINAL DETAIL

L.V.1. TERMINAL DETAIL

#14 AWG STRANDED COPPER  
WIRE LEADS

#14 AWG STRANDED COPPER  
WIRE LEADS

CUSTOMER NOTES:

- HV1 TERMINATED AT BOTTOM FRONT
- LV1 TERMINATED AT TOP FRONT



TITLE: HPS TITAN ENCAPSULATED TRANSFORMER

1	21/07/16	PP	EDB UPDATE	DES: LCEN
NO.	DATE	BY	REVISION	SCALE: NTS

SHEET 2 OF 2

EDB TN2A0002KHKA

1.0 httpd 2026/06/25 00:03

THIS DRAWING CONTAINS STRICTLY CONFIDENTIAL INFORMATION BELONGING TO HAMMOND POWER SOLUTIONS AND MUST NOT BE DISTRIBUTED OUTSIDE AUTHORIZED PARTIES.