



TITLE: HPS TITAN ENCAPSULATED TRANSFORMER
NAMEPLATE INFORMATION


NO.	DATE	BY	REVISION	SCALE:
2	21/07/16	PP	EDB UPDATE	DES: PPICASSI
1	20/03/17	PP	SEISMIC UPDATE	DATE: 19/01/09
				SCALE: NTS

SHEET 1 OF 2

EDB TN2A0002KBKA

2.0 httpd 2026/06/03 08:53

THIS DRAWING CONTAINS STRICTLY CONFIDENTIAL INFORMATION BELONGING TO HAMMOND POWER SOLUTIONS AND MUST NOT BE DISTRIBUTED OUTSIDE AUTHORIZED PARTIES.




POWER SOLUTIONS
Guelph, ONT Compton, CA Baraboo, WI
Compton, CA Monterrey, MX

HPS Titan™ N
Dry Type Encapsulated Transformer
Transformateur de Type Sec Encapsulé

Part No. TN2A0002KBKA

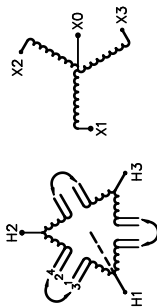
UL US LISTED
31GW E258346
GENERAL PURPOSE
TRANSFORMER FOR USE IN
HAZARDOUS LOCATIONS



8 03423 15225 13

000200bq

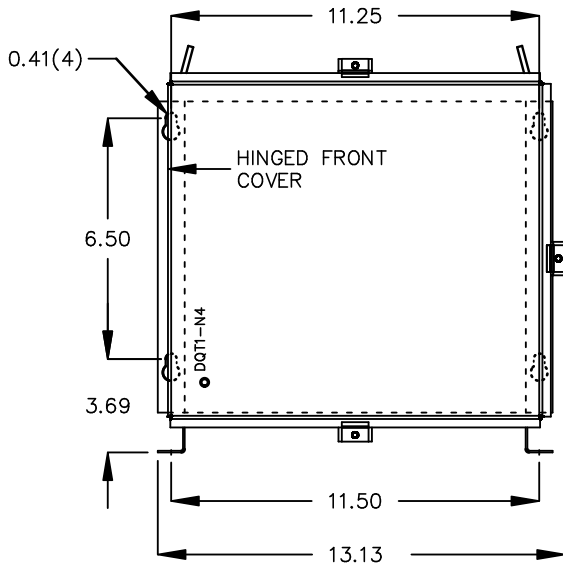
Cust. Ref. Ref. du Client	Serial No. No. de Serie	VOLTS	% RATED % TENSION NOMINALE	CURRENT COURANT	CONNECTION EACH PHASE CONNECTION PAR PHASE	HAZARDOUS LOCATIONS CLASS 1, DIV 2 GROUPS A, B, C & D TEMPERATURE CODE: T3C HAZARDOUS LOCATIONS CLASS 1, ZONE 2 GROUPS IIC, T3 ELECTROSTATIC SHIELD
3	HV/HT	504 480 456	105 100 95	2.2 2.3 2.4	1-2 2-3 3-4	
Type	BIL					
Cooling Refroidissement	Term Bornes					
kVA	LV/BT					
Temp. Rise Echauffement	BIL					
Temp Class Classe Temp	Term Bornes					
Winding Enroulement						
Frequency Hz						
Impedance % @ 100 °C						
Encl. Type Type de Coffrage						
Weight Poids						



WARNING - EXPLOSION HAZARD. DO NOT DISCONNECT EQUIPMENT WHILE THE CIRCUIT IS LIVE OR UNLESS THE AREA IS FREE OF IGNITABLE CONCENTRATIONS.
AVERTISSEMENT : RISQUE D'EXPLOSION. NE PAS D'BRANCHER PENDANT QUE LE CIRCUIT EST SOUS TENSION OU MOINS QUE L'EMPLACEMENT NE SOIT EXEMPT DE CONCENTRATIONS INFLAMMABLES.

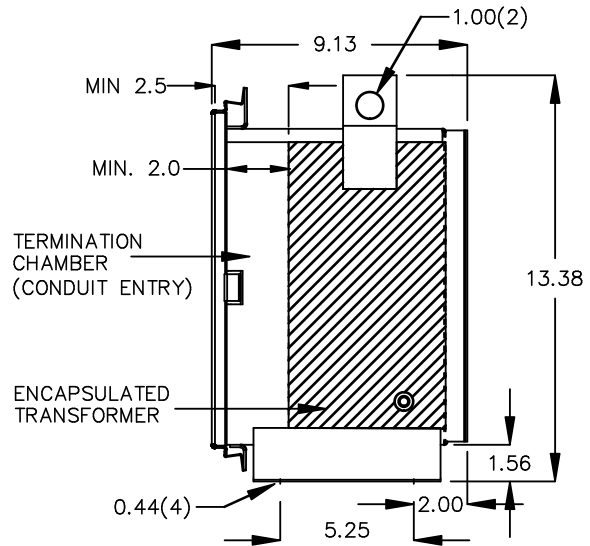
SEISMIC QUALIFICATIONS:
OSP-0136/IBC 201B/ASCE 7-16
SDS<=2.0g Z/h=1 p=1.5

FRONT VIEW



All Dimensions in inches

SIDE VIEW



ENCLOSURE COLOR : ANSI 61 GREY – OUTDOOR

H.V.1. TERMINAL DETAIL

L.V.1. TERMINAL DETAIL

#14 AWG STRANDED COPPER
WIRE LEADS

#14 AWG STRANDED COPPER
WIRE LEADS

CUSTOMER NOTES:

- HV1 TERMINATED AT BOTTOM FRONT
- LV1 TERMINATED AT TOP FRONT



TITLE: HPS TITAN ENCAPSULATED TRANSFORMER

2	21/07/16	PP	EDB UPDATE	DES: PPLICASSI
1	20/03/17	PP	SEISMIC UPDATE	DATE: 19/01/09
NO.	DATE	BY	REVISION	SCALE: NTS

SHEET 2 OF 2

EDB TN2A0002KBA