



TITLE: 3PH DISTRIBUTION TRANSFORMER
NAMEPLATE INFORMATION


NO.	DATE	BY	REVISION	DES: RMOVVA
				DATE: 25/05/01
				SCALE: NTS

SHEET 1 OF 3

EDBTE3A0660NJ

0.1 httpd 2026/04/02 02:46

THIS DRAWING CONTAINS STRICTLY CONFIDENTIAL INFORMATION BELONGING TO HAMMOND POWER SOLUTIONS AND MUST NOT BE DISTRIBUTED OUTSIDE AUTHORIZED PARTIES.




POWER SOLUTIONS
Guelph, ONT Compton, CA
Baraboo, WI Monterrey, MX

HPS Tribune™ E
Energy Efficient Drive Isolation Transformer
Transformateur Pour Variateur de Vitesse à Efficacité Énergétique

Part No. **TE3A0660NJ**

LISTED



DRY TYPE TRANSFORMER
77US E112313

LR 3902
0342314423 4
ALSO REFER TO CATALOGUE 15-18
TO ENERGY STANDARDS CROSSLISTED
BY UNDERWRITERS LABORATORIES INC. @ 316

Cust. Ref. Ref. du Client	Serial No. No. de Serie		
Phase	HV/HT	575V	663A
Type	BIL	10 kV	
Cooling Refroidissement	Term Bornes	H1 H2 H3	
kVA	LV/BT	460Y/266V	828A
Temp. Rise Echauffement	BIL	10 kV	
Temp Class Classe Temp	Term Bornes	X0 X1 X2 X3	
Winding Enroulement	Energy Regulations	DOE 10 CFR PART 431:2016	
Frequency Fréquence Hz	Reglements de Énergétique	CEE ACT SOR/2018-201	
Impedance % @ 170 °C			
Encl. Type Type de Coffrage			
Weight Poids lbs/kg		3950/1792	

VOLTS

604
580
575
561
546

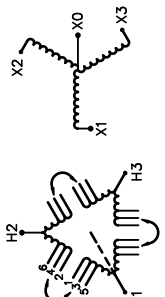
**CURRENT
COURANT**

631
647
663
680
698

**% RATED
% TENSION
NOMINALE**

105
102.5
100
97.5
95

CONNECTION EACH PHASE CONNECTION PAR PHASE	1-2 2-3 3-4 4-5 5-6
---	---------------------------------

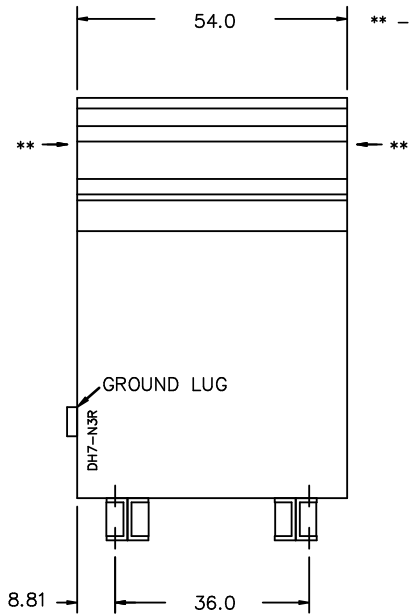


SPACINGS BETWEEN ANY VENTILATED ENCLOSURE PANEL AND ANY ADJACENT WALL SHALL BE A MINIMUM OF 12 INCHES
ELECTROSTATIC SHIELD

SEISMIC QUALIFICATIONS:
AS FLOOR MOUNT ONLY
IBC 2018/ASCE 7-16
SDS<=2.0g Z/h=0 Ip=1.5

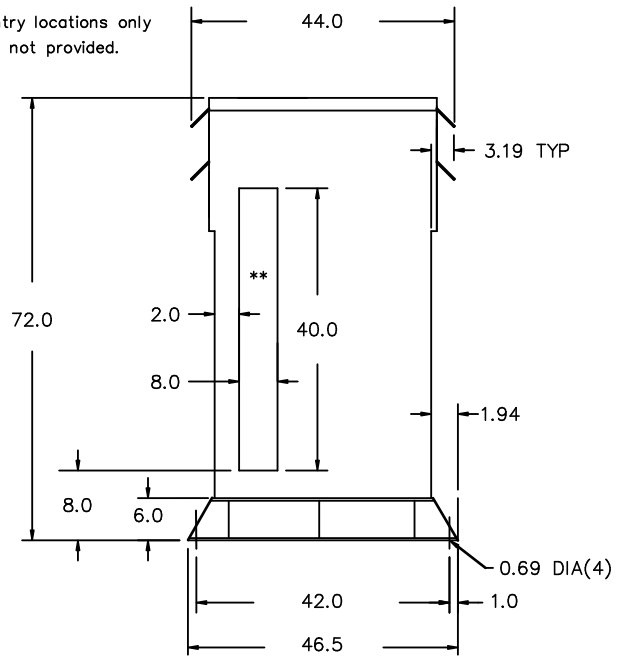
d000194hb

FRONT VIEW



** - Recommended cable entry locations only
cutouts & gland plates not provided.

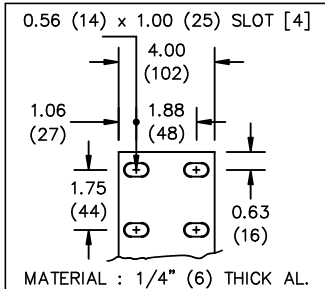
SIDE VIEW



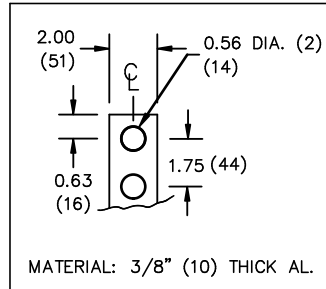
All Dimensions in inches

ENCLOSURE COLOR : ANSI 61 GREY - OUTDOOR

HV TERMINAL DETAIL



LV TERMINAL DETAIL



CUSTOMER NOTES:

- HV TERMINATED AT TOP FRONT
- LV TERMINATED AT BOTTOM FRONT
- C/W 1-"NC"- THERMOSTAT PER COIL CONNECTED TO T.B.



TITLE: 3PH DISTRIBUTION TRANSFORMER

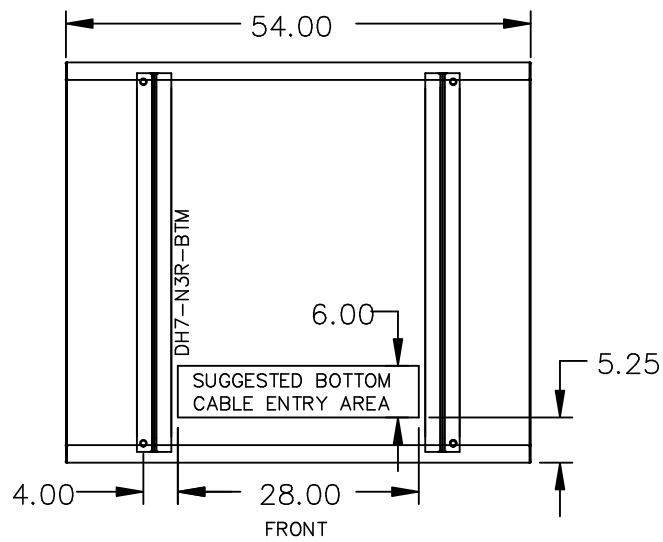
DES:	RMOVVA
DATE:	25/05/01
SCALE:	NTS

NO.	DATE	BY	REVISION

SHEET 2 OF 3

EDBTE3A0660NJ

ENCLOSURE BOTTOM VIEW



NOTE:
 WHEN BOTTOM CABLE ENTRY IS OPTED, THE SPACE USED FOR CONDUITS IN THE FRONT OF THE TRANSFORMER SHOULD NOT OBSTRUCT MORE THAN 50% OF THE FRONT AIR INTAKE AREA DEFINED BETWEEN THE BOTTOM PLATE AND THE SUPPORTING LEGS.
 SEE MANUAL FOR ADDITIONAL INFORMATION



TITLE: 3PH DISTRIBUTION TRANSFORMER
 ENCLOSURE BOTTOM VIEW

				DES: RMOVVA
				DATE: 25/05/01
NO.	DATE	BY	REVISION	SCALE: NTS

SHEET 3 OF 3

EDBTE3A0660NJ