



TITLE: 3PH DISTRIBUTION TRANSFORMER
NAMEPLATE INFORMATION


1	20/03/17	PP	SEISMIC UPDATE	DES: PPLICASSI
NO.	DATE	BY	REVISION	SCALE: NTS

SHEET 1 OF 3

EDBTE3A0550NJM

1.0 httpd 2026/05/27 13:02

THIS DRAWING CONTAINS STRICTLY CONFIDENTIAL INFORMATION BELONGING TO HAMMOND POWER SOLUTIONS AND MUST NOT BE DISTRIBUTED OUTSIDE AUTHORIZED PARTIES.



POWER SOLUTIONS
Guelph, ONT Compton, CA Baraboo, WI Monterrey, MX

HPS Tribune™ E
Energy Efficient Drive Isolation Transformer
Transformateur Pour Variateur de Vitesse à Efficacité Énergétique

Part No. **TE3A0550NJM**

DRY TYPE TRANSFORMER
77US E112313
ALSO REFER TO LOCAL CODES
TO ENERGY STANDARDS C902-18
BY UNDERWRITERS LABORATORIES INC. @ 316

Serial No. []
No. de Serie []

Phase 3 HV/HT

Type K BIL

Cooling Refroidissement ANN Term Bornes

kVA 550 LV/BT

Temp. Rise Echauffement 150 °C BIL

Temp Class Classe Temp 220 °C Term Bornes

Winding Enroulement CU Energy Regulations

Frequency Fréquence Hz 60 Reglements de l'Energétique

Impedance % @ 170 °C 5.3

Encl. Type Type de Coffrage 3R

Weight Poids lbs 3300

575V 552A

10 kV

H1 H2 H3

460Y/266V 690A

10 kV

X0 X1 X2 X3

DOE 10 CFR PART 431:2016

CEE ACT SOR/2018-201

526 105 1-2

539 102.5 2-3

552 100 3-4

566 97.5 4-5

581 95 5-6

CONNECTION EACH PHASE
CONNECTION PAR PHASE

604 604

580 580

575 575

561 561

546 546

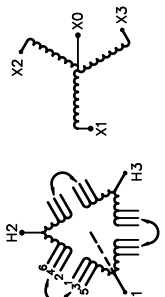
% RATED VOLTAGE
% TENSION NOMINALE

CURRENT COURANT

SPACINGS BETWEEN ANY VENTILATED ENCLOSURE PANEL AND ANY ADJACENT WALL SHALL BE A MINIMUM OF 12 INCHES
ELECTROSTATIC SHIELD

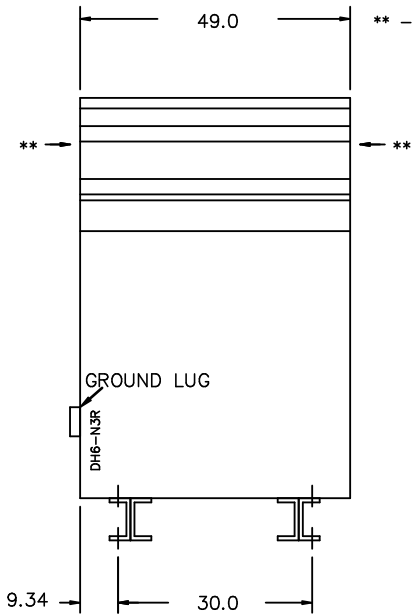
LISTED

SEISMIC QUALIFICATIONS:
AS FLOOR MOUNT ONLY
IBC 2018/ASCE 7-16
SDS<=2.0g Z/h=0 Ip=1.5



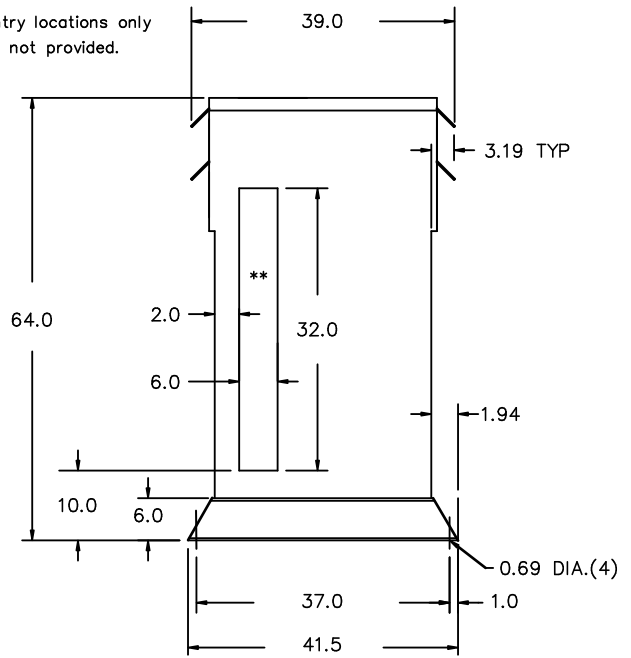
d000194hb

FRONT VIEW



** - Recommended cable entry locations only
cutouts & gland plates not provided.

SIDE VIEW



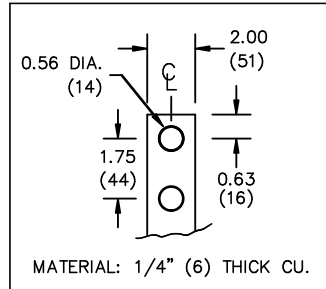
All Dimensions in inches

ENCLOSURE COLOR : ANSI 61 GREY - OUTDOOR

HV TERMINAL DETAIL



LV TERMINAL DETAIL



CUSTOMER NOTES:

- HV TERMINATED AT TOP FRONT
- LV TERMINATED AT BOTTOM FRONT
- C/W 1-"NC"- THERMOSTAT PER COIL CONNECTED TO T.B.



TITLE: 3PH DISTRIBUTION TRANSFORMER

1	20/03/17	PP	SEISMIC UPDATE	DES: PPICASSI
NO.	DATE	BY	REVISION	SCALE: NTS

SHEET 2 OF 3

EDBTE3A0550NMM

ENCLOSURE BOTTOM VIEW



NOTE:
 WHEN BOTTOM CABLE ENTRY IS OPTED, THE SPACE USED FOR CONDUITS IN THE FRONT OF THE TRANSFORMER SHOULD NOT OBSTRUCT MORE THAN 50% OF THE FRONT AIR INTAKE AREA DEFINED BETWEEN THE BOTTOM PLATE AND THE SUPPORTING LEGS.
 SEE MANUAL FOR ADDITIONAL INFORMATION



TITLE: 3PH DISTRIBUTION TRANSFORMER
 ENCLOSURE BOTTOM VIEW

1	20/03/17	PP	SEISMIC UPDATE	DES: PPLICASSI
NO.	DATE	BY	REVISION	SCALE: NTS

SHEET 3 OF 3

EDBTE3A0550N.M