




TITLE: 3PH DISTRIBUTION TRANSFORMER
NAMEPLATE INFORMATION

1	20/03/17	PP	SEISMIC UPDATE	DES: CSHAH
NO.	DATE	BY	REVISION	SCALE: NTS

SHEET 1 OF 3

EDBTE3A0330NJ

1.0 httpd 2026/04/02 11:44



POWER SOLUTIONS
Guelph, ONT Compton, CA Baraboo, WI Monterrey, MX

hammond HPS Tribune™ E
Energy Efficient Drive Isolation Transformer
Transformateur Pour Variateur de Vitesse à Efficacité Énergétique

Part No. **TE3A0330NJ**

DRY TYPE TRANSFORMER
77US E112313
ALSO REFER TO STANDARD CRO20-18
BY UNDERWRITERS LABORATORIES INC. 0148

Serial No. []
No. de Serie []

Phase 3 HV/HT

Type K BIL

Cooling Refroidissement ANN Term Bornes

kVA 330 LV/BT 414A

Temp. Rise Echauffement 150 °C

Temp Class Classe Temp 220 °C

Winding Enroulement AL Energy Regulations

Frequency Fréquence Hz 60 Reglements de Énergétique

Impedance % @ 170 °C 4.6

Encl. Type Type de Coffrage 3R

Weight Poids lbs 2200

575V 331A

10 kV

H1 H2 H3

460Y/266V 414A

10 kV

X0 X1 X2 X3

DOE 10 CFR PART 431:2016

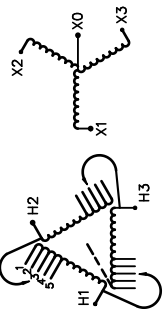
CEE ACT SOR/2018-201

LISTED

SPACINGS BETWEEN ANY VENTILATED ENCLOSURE PANEL AND ANY ADJACENT WALL SHALL BE A MINIMUM OF 5 INCHES EXCEPT WHEN WALL MOUNTED USING APPROVED WALL MOUNTING KIT ELECTROSTATIC SHIELD

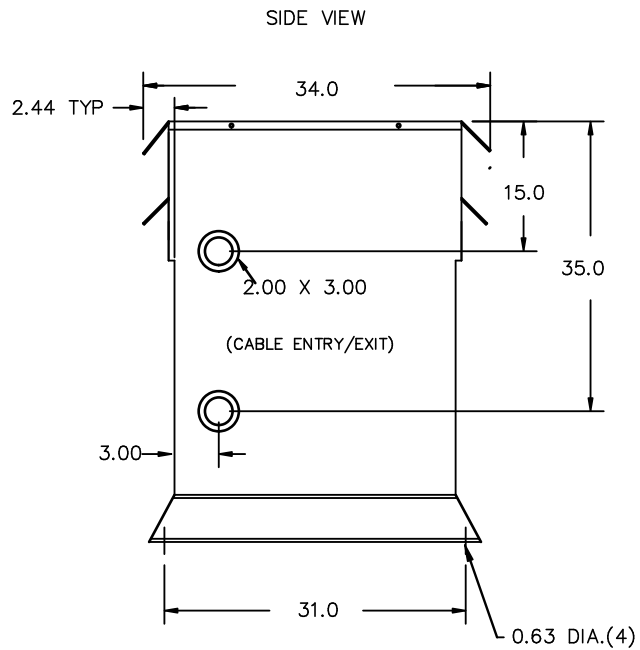
SEISMIC QUALIFICATIONS:
AS FLOOR MOUNT ONLY
IBC 2018/ASCE 7-16
SDS<=2.0g Z/h=0 Ip=1.5

VOLTS	CURRENT COURANT	% RATED VOLTAGE % TENSION NOMINALE	CONNECTION EACH PHASE CONNECTION PAR PHASE
604	316	105	1
589	323	102.5	2
575	331	100	3
561	340	97.5	4
546	349	95	5



d000194hb

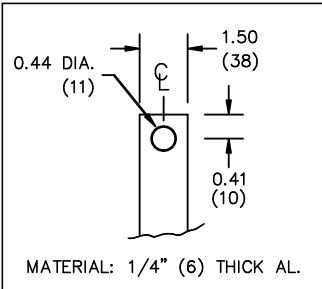
THIS DRAWING CONTAINS STRICTLY CONFIDENTIAL INFORMATION BELONGING TO HAMMOND POWER SOLUTIONS AND MUST NOT BE DISTRIBUTED OUTSIDE AUTHORIZED PARTIES.



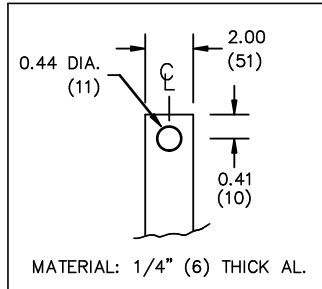
All Dimensions in inches

ENCLOSURE COLOR :ANSI 61 GREY – OUTDOOR

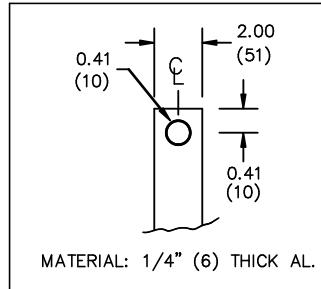
HV TERMINAL DETAIL



LV TERMINAL DETAIL



X0 TERMINAL DETAIL



CUSTOMER NOTES:

- HV TERMINATED AT TOP FRONT
- LV TERMINATED AT BOTTOM FRONT
- X0 TERMINATED AT BOTTOM FRONT
- C/W 1-"NC"- THERMOSTAT PER COIL CONNECTED TO T.B.



TITLE: 3PH DISTRIBUTION TRANSFORMER

1	20/03/17	PP	SEISMIC UPDATE	DES: CSHAH
				DATE: 19/07/19
NO.	DATE	BY	REVISION	SCALE: NTS

SHEET 2 OF 3

EDBTE3A0330NJ

ENCLOSURE BOTTOM VIEW



NOTE:
 WHEN BOTTOM CABLE ENTRY IS OPTED, THE SPACE USED FOR CONDUITS IN THE FRONT OF THE TRANSFORMER SHOULD NOT OBSTRUCT MORE THAN 50% OF THE FRONT AIR INTAKE AREA DEFINED BETWEEN THE BOTTOM PLATE AND THE SUPPORTING LEGS.
 SEE MANUAL FOR ADDITIONAL INFORMATION



TITLE: 3PH DISTRIBUTION TRANSFORMER
ENCLOSURE BOTTOM VIEW

1	20/03/17	PP	SEISMIC UPDATE	DES: CSHAH
NO.	DATE	BY	REVISION	DATE: 19/07/19
				SCALE: NTS

SHEET 3 OF 3

EDBTE3A0330NJ