



TITLE: 3PH DISTRIBUTION TRANSFORMER
NAMEPLATE INFORMATION

NO.	DATE	BY	REVISION


DES:	RMOVVA
DATE:	23/08/02
SCALE:	NTS

SHEET 1 OF 3

EDB TE3A0275NNM

0.0 httpd 2026/06/23 20:31

THIS DRAWING CONTAINS STRICTLY CONFIDENTIAL INFORMATION BELONGING TO HAMMOND POWER SOLUTIONS AND MUST NOT BE DISTRIBUTED OUTSIDE AUTHORIZED PARTIES.




POWER SOLUTIONS
Guelph, ONT Compton, CA
Baraboo, WI Monterrey, MX

hammond™ E
HPS Tribune™ E
Energy Efficient Drive Isolation Transformer
Transformateur Pour Variateur de Vitesse à Efficacité Énergétique

Part No. **TE3A0275NNM**

LISTED



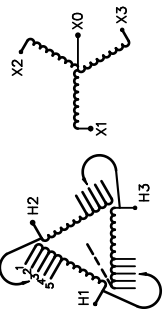
UL
E112313

LR 3902
DRY TYPE
TRANSFORMER
77US
8 0342314555
2

ALSO REFER TO THE LISTING
IN THE UL CATALOGUE
TO VERIFY LISTING AND APPROVAL
BY UNDERWRITERS LABORATORIES INC. @ 316

Cust. Ref. Ref. du Client	Serial No. No. de Serie	575V 276A	
Phase	HV/HT	10 kV	
Type	BIL	H1 H2 H3	
Cooling Refroidissement	Term Bornes	575Y/332V 276A	
kVA	LV/BT	10 kV	
Temp. Rise Échauffement	BIL	X0 X1 X2 X3	
Temp Class Classe Temp	Term Bornes	DOE EXEMPT	
Winding Enroulement	Energy Regulations	CEE ACT SOR/2018-201	
Frequency Fréquence Hz	Reglements de Énergétique		
Impedance % @ 170 °C			
Encl. Type Type de Coffrage			
Weight lbs/kg Poids		1710/776	

VOLTS	CURRENT COURANT	% RATED % TENSION NOMINALE	CONNECTION EACH PHASE CONNECTION PAR PHASE
604	263	105	1
589	269	102.5	2
575	276	100	3
561	283	97.5	4
546	291		5



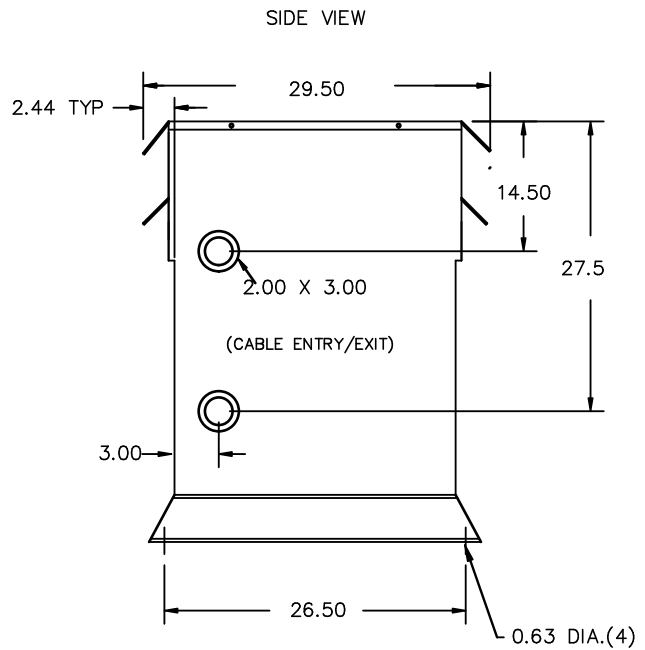
SPACINGS BETWEEN ANY VENTILATED ENCLOSURE PANEL AND ANY ADJACENT WALL SHALL BE A MINIMUM OF 5 INCHES
ELECTROSTATIC SHIELD

SEISMIC QUALIFICATIONS:
AS FLOOR MOUNT ONLY
IBC 2018/ASCE 7-16
SDS<=2.0g Z/h=1 Ip=1.5

d000194hb



All Dimensions in inches



ENCLOSURE COLOR :ANSI 61 GREY – OUTDOOR

HV TERMINAL DETAIL

LV TERMINAL DETAIL

MECHANICAL TYPE LUGS INCLUDED
SUITABLE FOR 350MCM-6 CU/AL
CONDUCTORS
2 CONDUCTORS PER PHASE

MECHANICAL TYPE LUGS INCLUDED
SUITABLE FOR 350MCM-6 CU/AL
CONDUCTORS
2 CONDUCTORS PER PHASE

CUSTOMER NOTES:

- HV TERMINATED AT TOP FRONT
- LV TERMINATED AT BOTTOM FRONT
- C/W 1-"NC"- THERMOSTAT PER COIL CONNECTED TO T.B.



TITLE: 3PH DISTRIBUTION TRANSFORMER				DES: RMOVVA
				DATE: 23/08/02
NO.	DATE	BY	REVISION	SCALE: NTS

SHEET 2 OF 3

EDBTE3A0275NMM



NOTE:
 WHEN BOTTOM CABLE ENTRY IS OPTED, THE SPACE USED FOR CONDUITS IN THE FRONT OF THE TRANSFORMER SHOULD NOT OBSTRUCT MORE THAN 50% OF THE FRONT AIR INTAKE AREA DEFINED BETWEEN THE BOTTOM PLATE AND THE SUPPORTING LEGS.
 SEE MANUAL FOR ADDITIONAL INFORMATION



TITLE: 3PH DISTRIBUTION TRANSFORMER
ENCLOSURE BOTTOM VIEW

				DES: RMOVVA
				DATE: 23/08/02
NO.	DATE	BY	REVISION	SCALE: NTS

SHEET 3 OF 3

EDBTE3A0275NMM