



TITLE: 3PH DISTRIBUTION TRANSFORMER  
NAMEPLATE INFORMATION


1	20/03/17	PP	SEISMIC UPDATE	DES: CSHAH
NO.	DATE	BY	REVISION	SCALE: NTS

SHEET 1 OF 3

EDBTE3A0275NJ

1.0 httpd 2026/04/04 13:46

THIS DRAWING CONTAINS STRICTLY CONFIDENTIAL INFORMATION BELONGING TO HAMMOND POWER SOLUTIONS AND MUST NOT BE DISTRIBUTED OUTSIDE AUTHORIZED PARTIES.



**POWER SOLUTIONS**  
Guelph, ONT Compton, CA  
Baraboo, WI Monterrey, MX

**HPS Tribune™ E**  
Energy Efficient Drive Isolation Transformer  
Transformateur Pour Variateur de Vitesse à Efficacité Énergétique

Part No. **TE3A0275NJ**

LR 3902  
DRY TYPE TRANSFORMER  
77US  
E112313

8 03423174419 7  
ALSO REFER TO STANDARD CRO20-18  
BY UNDERWRITERS LABORATORIES INC. @ 316

**LISTED**

SPACINGS BETWEEN ANY VENTILATED ENCLOSURE PANEL AND ANY ADJACENT WALL SHALL BE A MINIMUM OF 5 INCHES EXCEPT WHEN WALL MOUNTED USING APPROVED WALL MOUNTING KIT ELECTROSTATIC SHIELD

VOLTS	CURRENT COURANT	% RATED % TENSION NOMINALE	CONNECTION EACH PHASE CONNECTION PAR PHASE
604	263	105	1
589	269	102.5	2
575	276	100	3
561	283	97.5	4
546	291		5

Cust. Ref. [ ] Serial No. [ ]

Ref. du Client [ ] No. de Serie [ ]

Phase 3 HV/HT

Type K BIL

Cooling Refroidissement ANN Term Bornes

kVA 275 LV/BT 460Y/266V 34.5A

Temp. Rise Echauffement 150 °C BIL

Temp Class Classe Temp 220 °C Term Bornes

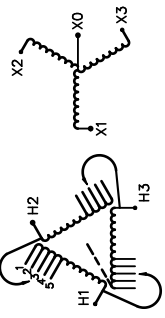
Winding Enroulement AL Energy Regulations

Frequency Fréquence Hz 60 Reglements de Réglement

Impedance % @ 170 °C 6.4 Énergétique

Encl. Type Type de Coffrage 3R

Weight Poids lbs 1650



SEISMIC QUALIFICATIONS:  
AS FLOOR MOUNT ONLY  
IBC 2018/ASCE 7-16  
SDS<=2.0g Z/h=0 Ip=1.5

d000194hb



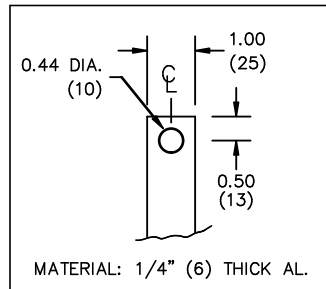
All Dimensions in inches

ENCLOSURE COLOR :ANSI 61 GREY – OUTDOOR

HV TERMINAL DETAIL

LV TERMINAL DETAIL

MECHANICAL TYPE LUGS INCLUDED  
SUITABLE FOR 350MCM-6 CU/AL  
CONDUCTORS  
2 CONDUCTORS PER PHASE



CUSTOMER NOTES:

- HV TERMINATED AT TOP FRONT
- LV TERMINATED AT BOTTOM FRONT
- C/W 1-”NC”- THERMOSTAT PER COIL CONNECTED TO T.B.



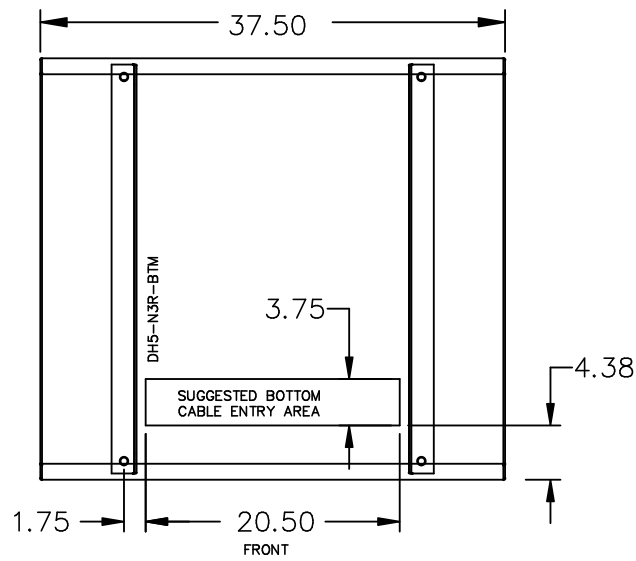
TITLE: 3PH DISTRIBUTION TRANSFORMER

1	20/03/17	PP	SEISMIC UPDATE	DES: CSHAH
				DATE: 19/07/19
NO.	DATE	BY	REVISION	SCALE: NTS

SHEET 2 OF 3

EDBTE3A0275NJ

ENCLOSURE BOTTOM VIEW



NOTE:  
 WHEN BOTTOM CABLE ENTRY IS OPTED, THE SPACE USED FOR CONDUITS IN THE FRONT OF THE TRANSFORMER SHOULD NOT OBSTRUCT MORE THAN 50% OF THE FRONT AIR INTAKE AREA DEFINED BETWEEN THE BOTTOM PLATE AND THE SUPPORTING LEGS.  
 SEE MANUAL FOR ADDITIONAL INFORMATION



TITLE: 3PH DISTRIBUTION TRANSFORMER  
 ENCLOSURE BOTTOM VIEW

1	20/03/17	PP	SEISMIC UPDATE	DES: CSHAH
NO.	DATE	BY	REVISION	SCALE: NTS

SHEET 3 OF 3

EDBTE3A0275NJ