



TITLE: 3PH DISTRIBUTION TRANSFORMER
NAMEPLATE INFORMATION


NO.	DATE	BY	REVISION	DES: RMOVVA
				DATE: 21/12/16
				SCALE: NTS

SHEET 1 OF 3

EDBTE3A0220KG

0.0 httpd 2026/04/02 22:22

THIS DRAWING CONTAINS STRICTLY CONFIDENTIAL INFORMATION BELONGING TO HAMMOND POWER SOLUTIONS AND MUST NOT BE DISTRIBUTED OUTSIDE AUTHORIZED PARTIES.




POWER SOLUTIONS
Guelph, ONT Compton, CA
Baraboo, WI Monterrey, MX

hammond HPS Tribune™ E
Energy Efficient Drive Isolation Transformer
Transformateur Pour Variateur de Vitesse à Efficacité Énergétique

Part No. **TE3A0220KG**

LISTED



UL E112313
ENEC 0342314367

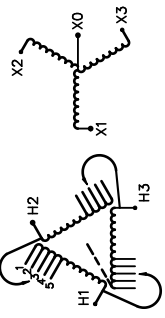
LR 3902
DRY TYPE TRANSFORMER
ALSO REFER TO CATALOGUE
TO ENERGY STANDARDS CRO2015-18
BY UNDERWRITERS LABORATORIES INC. @ 316

Cust. Ref. Ref. du Client	Serial No. No. de Serie		
Phase	HV/HT	480V	265A
Type	BIL	10 kV	
Cooling Refroidissement	ANN	H1 H2 H3	
kVA	220	380Y/219V	334A
Temp. Rise Échauffement	150 °C	10 kV	
Temp Class Classe Temp	220 °C	X0 X1 X2 X3	
Winding Enroulement	AL	DOE 10 CFR PART 431:2016	
Frequency Fréquence Hz	60	CEE ACT SOR/2018-201	
Impedance % @ 170 °C	6.1		
Encl. Type Type de Coffrage	3R		
Weight Poids	1490/676		

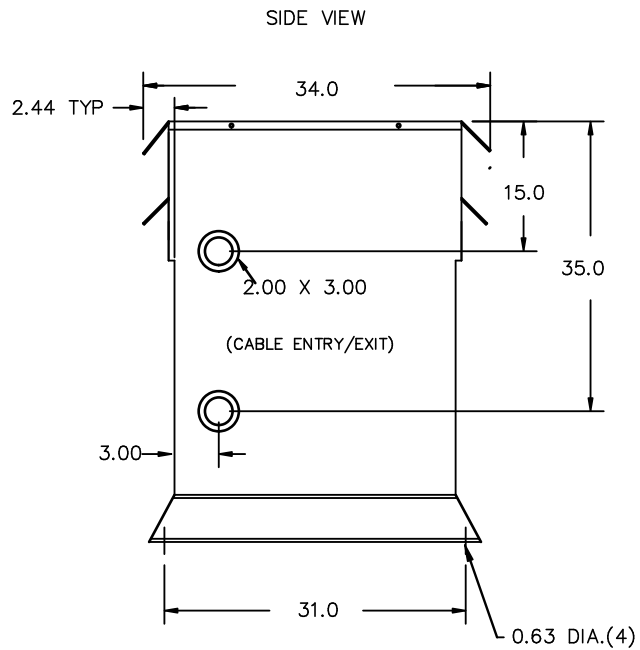
SPACINGS BETWEEN ANY VENTILATED ENCLOSURE PANEL AND ANY ADJACENT WALL SHALL BE A MINIMUM OF 5 INCHES
ÉLECTROSTATIC SHIELD

VOLTS	CURRENT COURANT	% RATED VOLTAGE % TENSION NOMINALE	CONNECTION EACH PHASE CONNECTION PAR PHASE
504	252	105	1
492	258	102.5	2
480	265	100	3
468	271	97.5	4
456	279	95	5

SEISMIC QUALIFICATIONS:
AS FLOOR MOUNT ONLY
IBC 2018/ASCE 7-16
SDS<=2.0g Z/h=0 Ip=1.5



d000194hb



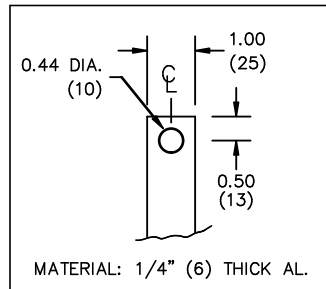
All Dimensions in inches

ENCLOSURE COLOR :ANSI 61 GREY – OUTDOOR

HV TERMINAL DETAIL

LV TERMINAL DETAIL

MECHANICAL TYPE LUGS INCLUDED
SUITABLE FOR 350MCM-6 CU/AL
CONDUCTORS
2 CONDUCTORS PER PHASE



CUSTOMER NOTES:

- HV TERMINATED AT TOP FRONT
- LV TERMINATED AT BOTTOM FRONT
- C/W 1-"NC"- THERMOSTAT PER COIL CONNECTED TO T.B.



TITLE: 3PH DISTRIBUTION TRANSFORMER

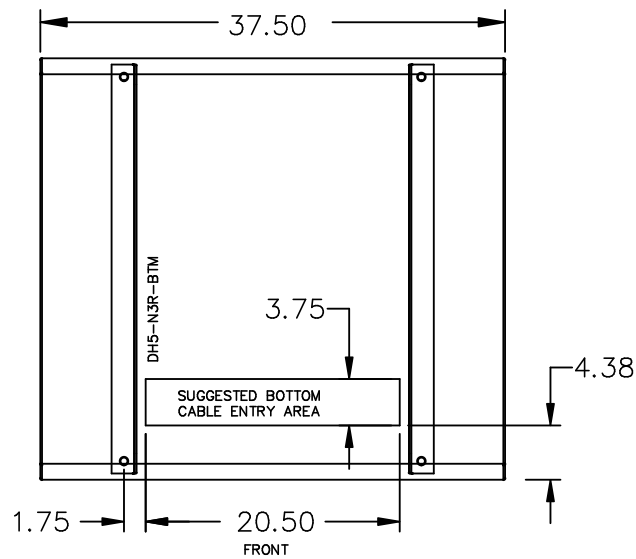
DES:	RMOVVA
DATE:	21/12/16
SCALE:	NTS

NO.	DATE	BY	REVISION

SHEET 2 OF 3

EDBTE3A0220KG

ENCLOSURE BOTTOM VIEW



NOTE:
 WHEN BOTTOM CABLE ENTRY IS OPTED, THE SPACE USED FOR CONDUITS IN THE FRONT OF THE TRANSFORMER SHOULD NOT OBSTRUCT MORE THAN 50% OF THE FRONT AIR INTAKE AREA DEFINED BETWEEN THE BOTTOM PLATE AND THE SUPPORTING LEGS.
 SEE MANUAL FOR ADDITIONAL INFORMATION



TITLE: 3PH DISTRIBUTION TRANSFORMER
 ENCLOSURE BOTTOM VIEW

				DES: RMOVVA
				DATE: 21/12/16
NO.	DATE	BY	REVISION	SCALE: NTS

SHEET 3 OF 3

EDBTE3A0220KG