



TITLE: 3PH DISTRIBUTION TRANSFORMER
NAMEPLATE INFORMATION


DES:	DCORTEZ
DATE:	20/08/21
SCALE:	NTS

SHEET 1 OF 3

EDBTE3A0220JJ

0.0 httpd 2026/04/02 03:35

THIS DRAWING CONTAINS STRICTLY CONFIDENTIAL INFORMATION BELONGING TO HAMMOND POWER SOLUTIONS AND MUST NOT BE DISTRIBUTED OUTSIDE AUTHORIZED PARTIES.




POWER SOLUTIONS
Guelph, ONT Compton, CA
Baraboo, WI Monterrey, MX


hammond HPS Tribune™ E
Energy Efficient Drive Isolation Transformer
Transformateur Pour Variateur de Vitesse à Efficacité Énergétique

Part No. TE3A0220JJ

LISTED



LR 3902
DRY TYPE
TRANSFORMER
77US
E112313



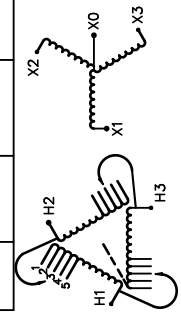
8 03423 14350 3

ALSO REFER TO THE INSTRUCTIONS
TO ENERGY STANDARDS CPD015-18
BY UNDERWRITERS LABORATORIES INC. @ 016

SPACINGS BETWEEN ANY VENTILATED ENCLOSURE PANEL AND ANY ADJACENT WALL SHALL BE A MINIMUM OF 5 INCHES EXCEPT WHEN WALL MOUNTED USING APPROVED WALL MOUNTING KIT ELECTROSTATIC SHIELD

Cust. Ref. Ref. du Client	Serial No. No. de Serie				
Phase	HV/HT	460V	276A		
Type	BIL	10 kV			
Cooling Refroidissement	Term Bornes	H1 H2 H3			
kVA	LV/BT	460Y/266V	276A		
Temp. Rise Échauffement	BIL	10 kV			
Temp Class Classe Temp	Term Bornes	X0 X1 X2 X3			
Winding Enroulement	Energy Regulations	DOE 10 CFR PART 431:2016			
Frequency Hz	Reglements de Énergétique	CEE ACT SOR/2018-201			
Impedance % @ 170°C					
Encl. Type Type De Coffrage					
Weight Poids					1500

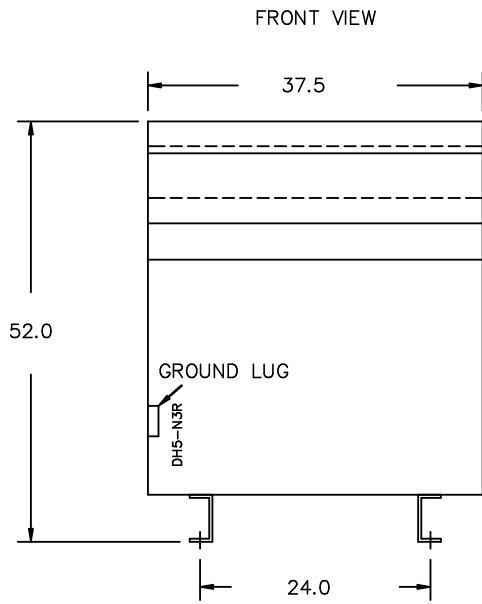
VOLTS	CURRENT COURANT	% RATED % TENSION NOMINALE	CONNECTION EACH PHASE CONNECTION PAR PHASE
483	263	105	1
472	269	102.5	2
460	276	100	3
448	283	97.5	4
437	291		5



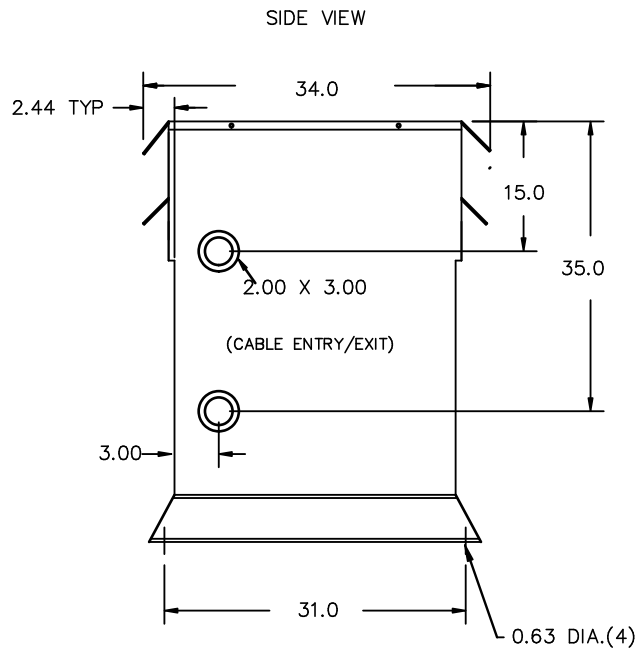
SEISMIC QUALIFICATIONS:
AS FLOOR MOUNT ONLY
IBC 2018/ASCE 7-16
SDS<=2.0g Z/h=0 Ip=1.5

d000194hb

THIS DRAWING CONTAINS STRICTLY CONFIDENTIAL INFORMATION BELONGING TO HAMMOND POWER SOLUTIONS AND MUST NOT BE DISTRIBUTED OUTSIDE AUTHORIZED PARTIES.



All Dimensions in inches



ENCLOSURE COLOR :ANSI 61 GREY – OUTDOOR

HV TERMINAL DETAIL

LV TERMINAL DETAIL

MECHANICAL TYPE LUGS INCLUDED
SUITABLE FOR 350MCM-6 CU/AL
CONDUCTORS
2 CONDUCTORS PER PHASE

MECHANICAL TYPE LUGS INCLUDED
SUITABLE FOR 350MCM-6 CU/AL
CONDUCTORS
2 CONDUCTORS PER PHASE

CUSTOMER NOTES:

- HV TERMINATED AT TOP FRONT
- LV TERMINATED AT BOTTOM FRONT
- C/W 1-"NC"- THERMOSTAT PER COIL CONNECTED TO T.B.



TITLE: 3PH DISTRIBUTION TRANSFORMER

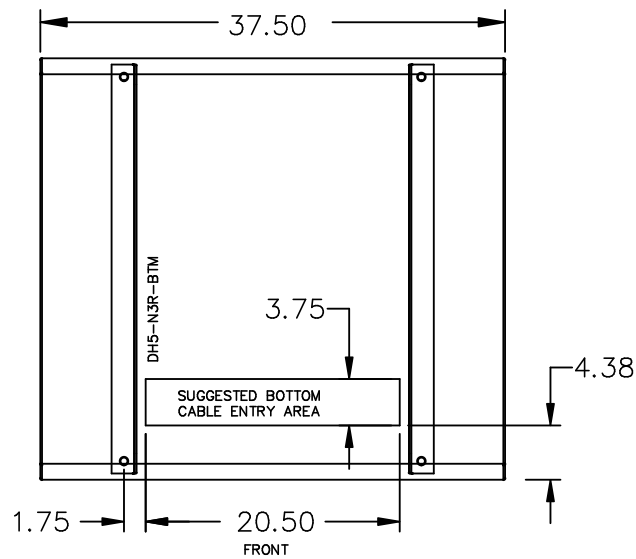
				DES: DCORTEZ
				DATE: 20/08/21
NO.	DATE	BY	REVISION	SCALE: NTS

SHEET 2 OF 3

EDBTE3A0220JJ

0.0 httpd 2026/04/02 03:35

ENCLOSURE BOTTOM VIEW



NOTE:
 WHEN BOTTOM CABLE ENTRY IS OPTED, THE SPACE USED FOR CONDUITS IN THE FRONT OF THE TRANSFORMER SHOULD NOT OBSTRUCT MORE THAN 50% OF THE FRONT AIR INTAKE AREA DEFINED BETWEEN THE BOTTOM PLATE AND THE SUPPORTING LEGS.
 SEE MANUAL FOR ADDITIONAL INFORMATION



TITLE: 3PH DISTRIBUTION TRANSFORMER
 ENCLOSURE BOTTOM VIEW

				DES: DCORTEZ
				DATE: 20/08/21
NO.	DATE	BY	REVISION	SCALE: NTS

SHEET 3 OF 3

EDBTE3A0220JJ