



TITLE: 3PH DISTRIBUTION TRANSFORMER
NAMEPLATE INFORMATION

NO.	DATE	BY	REVISION


DES:	CSHAH
DATE:	22/09/14
SCALE:	NTS

SHEET 1 OF 3

EDBTE3A0175KKM

0.0 httpd 2026/04/26 11:32

THIS DRAWING CONTAINS STRICTLY CONFIDENTIAL INFORMATION BELONGING TO HAMMOND POWER SOLUTIONS AND MUST NOT BE DISTRIBUTED OUTSIDE AUTHORIZED PARTIES.



POWER SOLUTIONS
Guelph, ONT Compton, CA Baraboo, WI Monterrey, MX

HPS Tribune™ E
Energy Efficient Drive Isolation Transformer
Transformateur Pour Variateur de Vitesse à Efficacité Énergétique

Part No. **TE3A0175KKM**

DRY TYPE TRANSFORMER
77US E112313
ALSO REFER TO ENERGY STANDARDS CROU-18
BY UNDERWRITERS LABORATORIES INC. @ 316

Serial No. []
No. de Serie []

Phase 3 HV/HT 480V 210A

Type K BIL 10 kV

Cooling Refroidissement ANN Term Bornes H1 H2 H3

kVA 175 LV/BT 480Y/277V 210A

Temp. Rise Echauffement 150 °C BIL 10 kV

Temp Class Classe Temp 220 °C Term Bornes X0 X1 X2 X3

Winding Enroulement CU Energy Regulations DOE 10 CFR PART 431:2016

Frequency Fréquence Hz 60 Reglements de l'Énergétique CEE ACT SOR/2018-201

Impedance % @ 170 °C 4.7

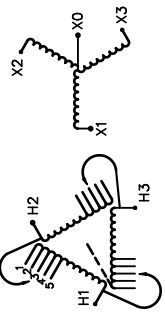
Encl. Type Type de Coffrage 3R

Weight Poids lbs/kg 1060/481

LISTED

SPACINGS BETWEEN ANY VENTILATED ENCLOSURE PANEL AND ANY ADJACENT WALL SHALL BE A MINIMUM OF 5 INCHES ELECTROSTATIC SHIELD

VOLTS	CURRENT COURANT	% RATED VOLTAGE % TENSION NOMINALE	CONNECTION EACH PHASE CONNECTION PAR PHASE
504	200	105	1
492	205	102.5	2
480	210	100	3
468	216	97.5	4
456	222	95	5

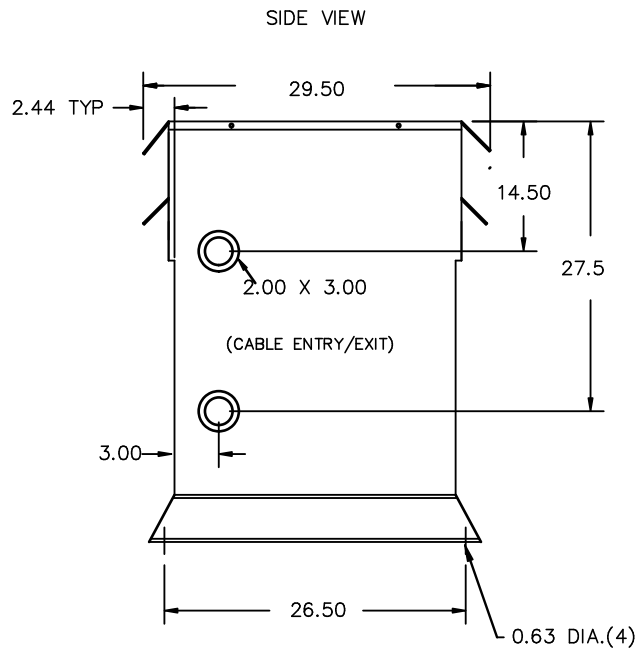


SEISMIC QUALIFICATIONS:
AS FLOOR MOUNT ONLY
IBC 2018/ASCE 7-16
SDS<=2.0g Z/h=1 Ip=1.5

d000194hb



All Dimensions in inches



ENCLOSURE COLOR :ANSI 61 GREY – OUTDOOR

HV TERMINAL DETAIL

LV TERMINAL DETAIL

MECHANICAL TYPE LUGS INCLUDED
SUITABLE FOR 600MCM-2 CU/AL
CONDUCTORS
1 CONDUCTOR PER PHASE

MECHANICAL TYPE LUGS INCLUDED
SUITABLE FOR 600MCM-2 CU/AL
CONDUCTORS
1 CONDUCTOR PER PHASE

CUSTOMER NOTES:

- HV TERMINATED AT TOP FRONT
- LV TERMINATED AT BOTTOM FRONT
- C/W 1-"NC"- THERMOSTAT PER COIL CONNECTED TO T.B.



TITLE: 3PH DISTRIBUTION TRANSFORMER

DES:	CSHAH		
DATE:	22/09/14		
SCALE:	NTS		
NO.	DATE	BY	REVISION

SHEET 2 OF 3

EDBTE3A0175KKM



NOTE:
 WHEN BOTTOM CABLE ENTRY IS OPTED, THE SPACE USED FOR CONDUITS IN THE FRONT OF THE TRANSFORMER SHOULD NOT OBSTRUCT MORE THAN 50% OF THE FRONT AIR INTAKE AREA DEFINED BETWEEN THE BOTTOM PLATE AND THE SUPPORTING LEGS.
 SEE MANUAL FOR ADDITIONAL INFORMATION



TITLE: 3PH DISTRIBUTION TRANSFORMER
 ENCLOSURE BOTTOM VIEW

				DES: CSHAH
				DATE: 22/09/14
NO.	DATE	BY	REVISION	SCALE: NTS

SHEET 3 OF 3

EDBTE3A0175KKM