



TITLE: 3PH DISTRIBUTION TRANSFORMER
NAMEPLATE INFORMATION

1	20/03/17	PP	SEISMIC UPDATE	DES: RMOVVA
NO.	DATE	BY	REVISION	SCALE: NTS

SHEET 1 OF 3

EDBTE3A0145NJM

1.0 httpd 2026/07/11 19:09

POWER SOLUTIONS
Guelph, ONT Compton, CA
Baraboo, WI Monterrey, MX

hammond HPS Tribune™ E
Energy Efficient Drive Isolation Transformer
Transformateur Pour Variateur de Vitesse à Efficacité Énergétique

LR 3902
DRY TYPE
77US
E112313
LISTED

8 0342314535 4
ALSO REFER TO CATALOGUE
TV ENERGY STANDARDS CRO2015-18
BY UNDERWRITERS LABORATORIES INC. @ 316

SPACINGS BETWEEN ANY VENTILATED ENCLOSURE PANEL AND ANY ADJACENT WALL SHALL BE A MINIMUM OF 5 INCHES EXCEPT WHEN WALL MOUNTED USING APPROVED WALL MOUNTING KIT ELECTROSTATIC SHIELD

VOLTS	CURRENT COURANT	% RATED % TENSION NOMINALE	CONNECTION EACH PHASE CONNECTION PAR PHASE
604	139	105	1
589	142	102.5	2
575	146	100	3
561	149	97.5	4
546	153	95	5

Cust. Ref. [] Serial No. []
Ref. du Client [] No. de Serie []

Phase 3 HV/HT 575V 146A

Type K BIL 10 kV

Cooling Refroidissement ANN Term Bornes H1 H2 H3

kVA 145 LV/BT 460Y/266V 182A

Temp. Rise Echauffement 150 °C BIL 10 kV

Temp Class Classe Temp 220 °C Term Bornes X0 X1 X2 X3

Winding Enroulement CU Energy Regulations DOE 10 CFR PART 431:2016

Frequency Fréquence Hz 60 Reglements de l'Energétique CEE ACT SOR/2018-201

Impedance % @ 170 °C 4.1

Encl. Type Type De Coffrage 3R

Weight Poids lbs 940

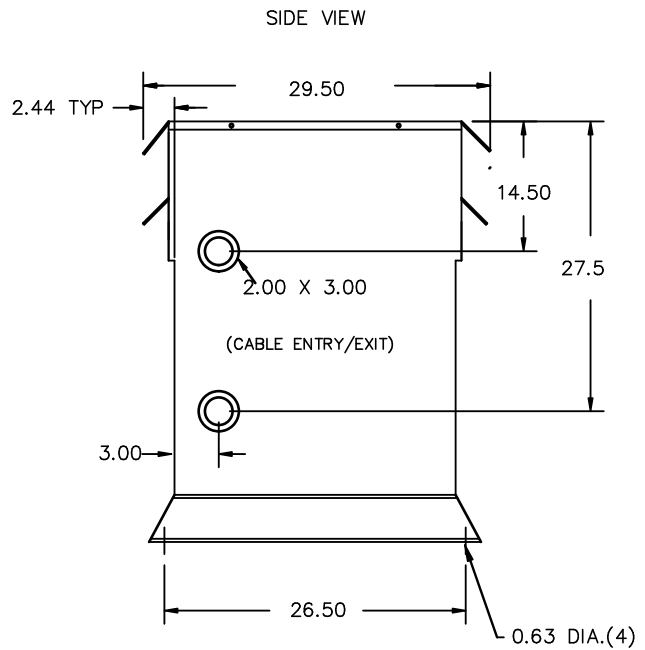
SEISMIC QUALIFICATIONS:
AS FLOOR MOUNT ONLY
IBC 2018/ASCE 7-16
SDS<=2.0g Z/h=1 Ip=1.5

d000194hb

THIS DRAWING CONTAINS STRICTLY CONFIDENTIAL INFORMATION BELONGING TO HAMMOND POWER SOLUTIONS AND MUST NOT BE DISTRIBUTED OUTSIDE AUTHORIZED PARTIES.



All Dimensions in inches



ENCLOSURE COLOR :ANSI 61 GREY – OUTDOOR

HV TERMINAL DETAIL

LV TERMINAL DETAIL

MECHANICAL TYPE LUGS INCLUDED
SUITABLE FOR 250MCM-6 CU/AL
CONDUCTORS
1 CONDUCTOR PER PHASE

MECHANICAL TYPE LUGS INCLUDED
SUITABLE FOR 350MCM-6 CU/AL
CONDUCTORS
1 CONDUCTOR PER PHASE

CUSTOMER NOTES:

- HV TERMINATED AT TOP FRONT
- LV TERMINATED AT BOTTOM FRONT
- C/W 1-"NC"- THERMOSTAT PER COIL CONNECTED TO T.B.



TITLE: 3PH DISTRIBUTION TRANSFORMER

1	20/03/17	PP	SEISMIC UPDATE	DES: RMOVVA
NO.	DATE	BY	REVISION	SCALE: NTS

SHEET 2 OF 3

EDBTE3A0145NLM



NOTE:
 WHEN BOTTOM CABLE ENTRY IS OPTED, THE SPACE USED FOR CONDUITS IN THE FRONT OF THE TRANSFORMER SHOULD NOT OBSTRUCT MORE THAN 50% OF THE FRONT AIR INTAKE AREA DEFINED BETWEEN THE BOTTOM PLATE AND THE SUPPORTING LEGS.
 SEE MANUAL FOR ADDITIONAL INFORMATION



TITLE: 3PH DISTRIBUTION TRANSFORMER
 ENCLOSURE BOTTOM VIEW

1	20/03/17	PP	SEISMIC UPDATE	DES: RMOVVA
NO.	DATE	BY	REVISION	SCALE: NTS

SHEET 3 OF 3

EDBTE3A0145NLM