




TITLE: 3PH DISTRIBUTION TRANSFORMER
NAMEPLATE INFORMATION

1	20/03/17	PP	SEISMIC UPDATE	DES: PPICASSI
NO.	DATE	BY	REVISION	SCALE: NTS

SHEET 1 OF 3

EDBTE3A0145NJ

1.0 httpd 2026/06/25 01:17



POWER SOLUTIONS
Guelph, ONT Compton, CA
Baraboo, WI Monterrey, MX

HPS Tribune™ E
Energy Efficient Drive Isolation Transformer
Transformateur Pour Variateur de Vitesse à Efficacité Énergétique

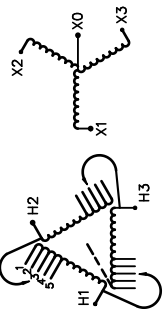
Part No. TE3A0145NJ

DRY TYPE TRANSFORMER 8 03423174416 6
UL LISTED E112313 ALSO REFER TO ENERGY STANDARDS C902-18 BY UNDERWRITERS LABORATORIES INC.® 3148

LR 3902

Cust. Ref. / Ref. du Client		Serial No. / No. de Serie	VOLTS		CURRENT / COURANT	% RATED VOLTAGE / % TENSION NOMINALE	CONNECTION EACH PHASE / CONNECTION PAR PHASE
Phase	3	HV/HT	604	575V	139	105	1
Type	K	BIL	580	10 kV	142	102.5	2
Cooling / Refroidissement	ANN	Term Bornes	575	H1 H2 H3	146	100	3
kVA	145	LV/BT	561	460Y/266V	149	97.5	4
Temp. Rise / Échauffement	150 °C	BIL	546	10 kV	153		5
Temp Class / Classe Temp	220 °C	Term Bornes		X0 X1 X2 X3			
Winding / Enroulement	AL	Energy Regulations / Règlements Énergétique		DOE 10 CFR PART 431:2016			
Frequency / Fréquence Hz	60			CEE ACT SOR/2018-201			
Impedance % @ 170 °C	4.5						
Encl. Type / Type De Coffrage	3R						
Weight / Poids	860 lbs						

SPACINGS BETWEEN ANY VENTILATED ENCLOSURE PANEL AND ANY ADJACENT WALL SHALL BE A MINIMUM OF 5 INCHES EXCEPT WHEN WALL MOUNTED USING APPROVED WALL MOUNTING KIT ELECTROSTATIC SHIELD



SEISMIC QUALIFICATIONS:
AS FLOOR MOUNT ONLY
IBC 2018/ASCE 7-16
SDS<=2.0g Z/h=1 Ip=1.5

d000194hb

THIS DRAWING CONTAINS STRICTLY CONFIDENTIAL INFORMATION BELONGING TO HAMMOND POWER SOLUTIONS AND MUST NOT BE DISTRIBUTED OUTSIDE AUTHORIZED PARTIES.



All Dimensions in inches

ENCLOSURE COLOR :ANSI 61 GREY – OUTDOOR

HV TERMINAL DETAIL

LV TERMINAL DETAIL

MECHANICAL TYPE LUGS INCLUDED
SUITABLE FOR 250MCM-6 CU/AL
CONDUCTORS
1 CONDUCTOR PER PHASE

MECHANICAL TYPE LUGS INCLUDED
SUITABLE FOR 350MCM-6 CU/AL
CONDUCTORS
1 CONDUCTOR PER PHASE

CUSTOMER NOTES:

- HV TERMINATED AT TOP FRONT
- LV TERMINATED AT BOTTOM FRONT
- C/W 1-”NC”- THERMOSTAT PER COIL CONNECTED TO T.B.



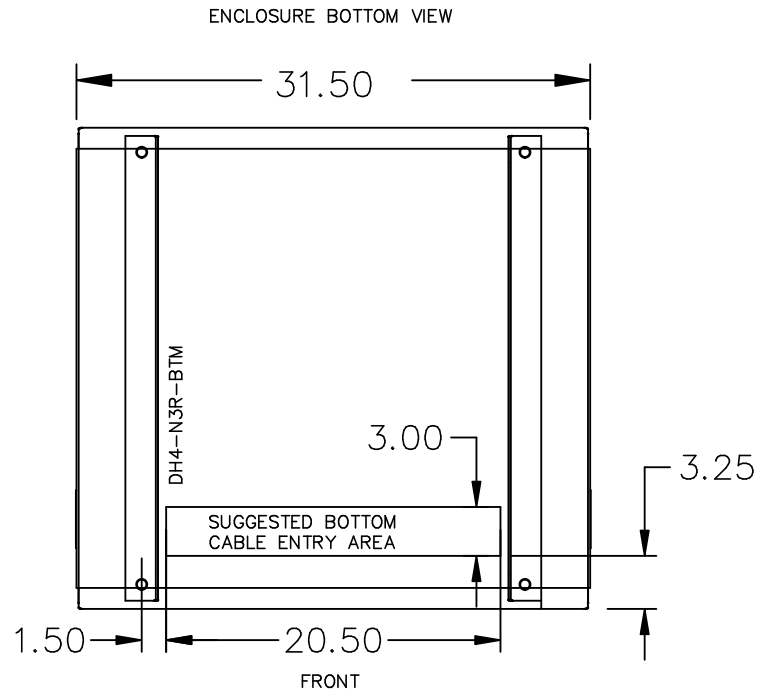
TITLE: 3PH DISTRIBUTION TRANSFORMER

1	20/03/17	PP	SEISMIC UPDATE	DES: PPICASSI
NO.	DATE	BY	REVISION	SCALE: NTS

SHEET 2 OF 3

EDBTE3A0145NJ

1.0 httpd 2026/06/25 01:17



NOTE:
 WHEN BOTTOM CABLE ENTRY IS OPTED, THE SPACE USED FOR CONDUITS IN THE FRONT OF THE TRANSFORMER SHOULD NOT OBSTRUCT MORE THAN 50% OF THE FRONT AIR INTAKE AREA DEFINED BETWEEN THE BOTTOM PLATE AND THE SUPPORTING LEGS.
 SEE MANUAL FOR ADDITIONAL INFORMATION



TITLE: 3PH DISTRIBUTION TRANSFORMER
 ENCLOSURE BOTTOM VIEW

1	20/03/17	PP	SEISMIC UPDATE	DES: PPLICASSI
NO.	DATE	BY	REVISION	SCALE: NTS

SHEET 3 OF 3

EDBTE3A0145NJ