



TITLE: 3PH DISTRIBUTION TRANSFORMER
NAMEPLATE INFORMATION

NO.	DATE	BY	REVISION


DES:	CSHAH
DATE:	22/08/31
SCALE:	NTS

SHEET 1 OF 3

EDBTE3A0145KK

0.0 httpd 2026/06/06 21:48

THIS DRAWING CONTAINS STRICTLY CONFIDENTIAL INFORMATION BELONGING TO HAMMOND POWER SOLUTIONS AND MUST NOT BE DISTRIBUTED OUTSIDE AUTHORIZED PARTIES.



POWER SOLUTIONS
Guelph, ONT Compton, CA Baraboo, WI Monterrey, MX

HPS Tribune™ E
Energy Efficient Drive Isolation Transformer
Transformateur Pour Variateur de Vitesse à Efficacité Énergétique

Part No. **TE3A0145KK**

DRY TYPE TRANSFORMER
77US E112313
ALSO REFER TO ENERGY STANDARDS CROQ 15-18
BY UNDERWRITERS LABORATORIES INC. @ 316

Serial No. []
No. de Serie []

Phase **3** HV/HT

Type **K** BIL

Cooling Refroidissement **ANN** Term Bornes

kVA **145** LV/BT

Temp. Rise Echauffement **150 °C** BIL

Temp Class Classe Temp **220 °C** Term Bornes

Winding Enroulement **AL** Energy Regulations

Frequency Fréquence Hz **60** Reglements de l'Energétique

Impedance % @ 170 °C **4.8**

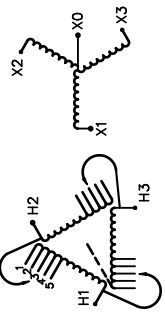
Encl. Type Type de Coffrage **3R**

Weight Poids lbs/kg **885/402**

VOLTS

504	166	105	1
482	170	102.5	2
480	174	100	3
468	179	97.5	4
456	184	95	5

CONNECTION EACH PHASE CONNECTION PAR PHASE



SEISMIC QUALIFICATIONS:
AS FLOOR MOUNT ONLY
IBC 2018/ASCE 7-16
SDS<=2.0g Z/h=1 Ip=1.5

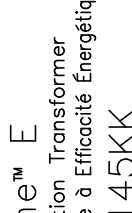
d000194hb

SPACINGS BETWEEN ANY VENTILATED ENCLOSURE PANEL AND ANY ADJACENT WALL SHALL BE A MINIMUM OF 5 INCHES ELECTROSTATIC SHIELD



LISTED

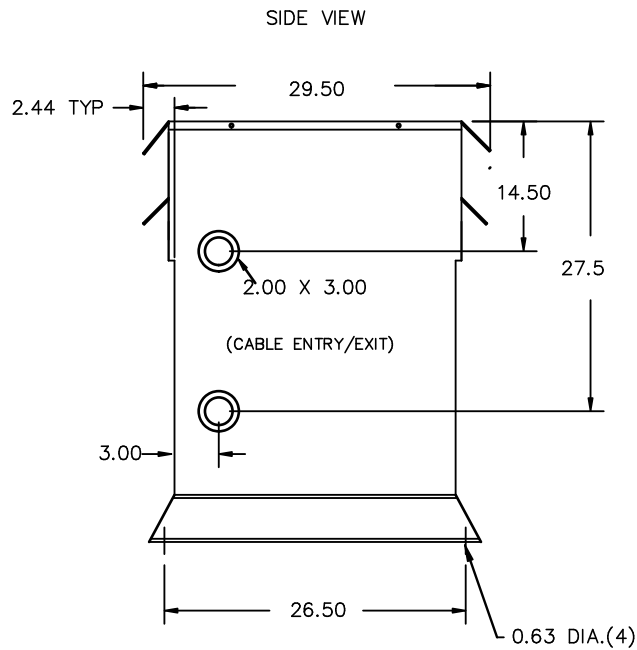
LR 3902



03423143824



All Dimensions in inches



ENCLOSURE COLOR :ANSI 61 GREY – OUTDOOR

HV TERMINAL DETAIL

LV TERMINAL DETAIL

MECHANICAL TYPE LUGS INCLUDED
SUITABLE FOR 350MCM-6 CU/AL
CONDUCTORS
1 CONDUCTOR PER PHASE

MECHANICAL TYPE LUGS INCLUDED
SUITABLE FOR 350MCM-6 CU/AL
CONDUCTORS
1 CONDUCTOR PER PHASE

CUSTOMER NOTES:

- HV TERMINATED AT TOP FRONT
- LV TERMINATED AT BOTTOM FRONT
- C/W 1-"NC"- THERMOSTAT PER COIL CONNECTED TO T.B.



TITLE: 3PH DISTRIBUTION TRANSFORMER

DES:	CSHAH
DATE:	22/08/31
SCALE:	NTS

NO.	DATE	BY	REVISION

SHEET 2 OF 3

EDBTE3A0145KK



NOTE:
 WHEN BOTTOM CABLE ENTRY IS OPTED, THE SPACE USED FOR CONDUITS IN THE FRONT OF THE TRANSFORMER SHOULD NOT OBSTRUCT MORE THAN 50% OF THE FRONT AIR INTAKE AREA DEFINED BETWEEN THE BOTTOM PLATE AND THE SUPPORTING LEGS.
 SEE MANUAL FOR ADDITIONAL INFORMATION



TITLE: 3PH DISTRIBUTION TRANSFORMER
 ENCLOSURE BOTTOM VIEW

				DES: CSHAH
				DATE: 22/08/31
NO.	DATE	BY	REVISION	SCALE: NTS

SHEET 3 OF 3

EDBTE3A0145KK