



TITLE: 3PH DISTRIBUTION TRANSFORMER  
NAMEPLATE INFORMATION


NO.	DATE	BY	REVISION

DES:	MRAHEEM
DATE:	26/01/13
SCALE:	NTS

SHEET 1 OF 3

EDBTE3A0118NN

0.1 httpd 2026/06/24 21:27



**POWER SOLUTIONS**  
Guelph, ONT Compton, CA  
Baraboo, WI Monterrey, MX

**HPS Tribune™ E**  
Energy Efficient Drive Isolation Transformer  
Transformateur Pour Variateur de Vitesse à Efficacité Énergétique

Part No. **TE3A0118NN**

DRY TYPE TRANSFORMER  
77US E112313  
ALSO REFER TO ENERGY STANDARDS CRO2015-18  
BY UNDERWRITERS LABORATORIES INC. @ 316

Serial No. [ ]  
No. de Serie [ ]

Phase 3 HV/HT

Type K BIL

Cooling Refroidissement ANN Term Bornes

kVA 118 LV/BT

Temp. Rise Echauffement 150 °C BIL

Temp Class Classe Temp 220 °C Term Bornes

Winding Enroulement AL Energy Regulations

Frequency Fréquence Hz 60 Reglements de Énergétique

Impedance % @ 170 °C 5.1

Encl. Type Type de Coffrage 3R

Weight Poids lbs/kg 705/320

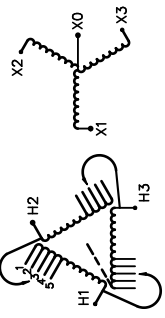
VOLTS 604 580 575 561 546

CURRENT COURANT 113 116 118 122 125

% RATED VOLTAGE % TENSION NOMINALE 105 102.5 100 97.5 95

CONNECTION EACH PHASE CONNECTION PAR PHASE 1 2 3 4 5

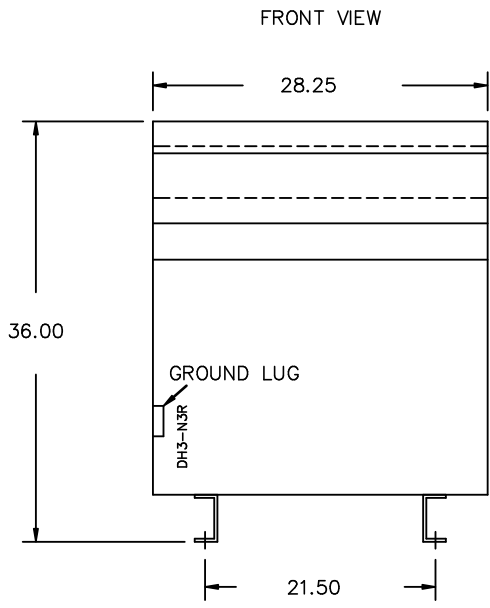
SPACINGS BETWEEN ANY VENTILATED ENCLOSURE PANEL AND ANY ADJACENT WALL SHALL BE A MINIMUM OF 5 INCHES EXCEPT WHEN WALL MOUNTED USING APPROVED WALL MOUNTING KIT ELECTROSTATIC SHIELD



SEISMIC QUALIFICATIONS:  
AS FLOOR MOUNT ONLY  
IBC 2018/ASCE 7-16  
SDS<=2.0g Z/h=1 Ip=1.5

d000194hb

THIS DRAWING CONTAINS STRICTLY CONFIDENTIAL INFORMATION BELONGING TO HAMMOND POWER SOLUTIONS AND MUST NOT BE DISTRIBUTED OUTSIDE AUTHORIZED PARTIES.



All Dimensions in inches



ENCLOSURE COLOR :ANSI 61 GREY – OUTDOOR

HV TERMINAL DETAIL

LV TERMINAL DETAIL

MECHANICAL TYPE LUGS INCLUDED  
SUITABLE FOR 250MCM-6 CU/AL  
CONDUCTORS  
1 CONDUCTOR PER PHASE

MECHANICAL TYPE LUGS INCLUDED  
SUITABLE FOR 250MCM-6 CU/AL  
CONDUCTORS  
1 CONDUCTOR PER PHASE

CUSTOMER NOTES:

- HV TERMINATED AT TOP FRONT
- LV TERMINATED AT BOTTOM FRONT
- C/W 1-"NC"- THERMOSTAT PER COIL CONNECTED TO T.B.



TITLE: 3PH DISTRIBUTION TRANSFORMER

NO.	DATE	BY	REVISION

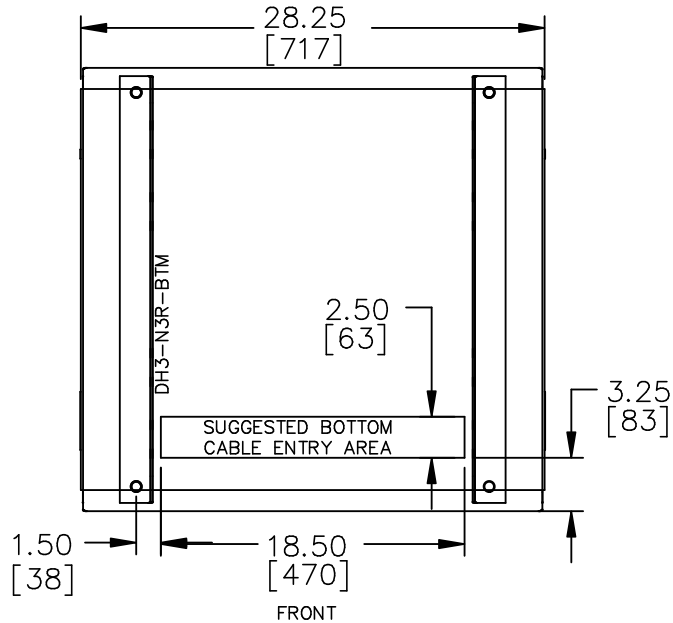
DES: MRAHEEM  
DATE: 26/01/13  
SCALE: NTS

SHEET 2 OF 3

EDBTE3A0118NN

THIS DRAWING CONTAINS STRICTLY CONFIDENTIAL INFORMATION BELONGING TO HAMMOND POWER SOLUTIONS AND MUST NOT BE DISTRIBUTED OUTSIDE AUTHORIZED PARTIES. 0.1 httpd 2026/06/24 21:27

ENCLOSURE BOTTOM VIEW



NOTE:  
 WHEN BOTTOM CABLE ENTRY IS OPTED, THE SPACE USED FOR CONDUITS IN THE FRONT OF THE TRANSFORMER SHOULD NOT OBSTRUCT MORE THAN 50% OF THE FRONT AIR INTAKE AREA DEFINED BETWEEN THE BOTTOM PLATE AND THE SUPPORTING LEGS.  
 SEE MANUAL FOR ADDITIONAL INFORMATION



TITLE: 3PH DISTRIBUTION TRANSFORMER  
ENCLOSURE BOTTOM VIEW

				DES: MRAHEEM
				DATE: 26/01/13
NO.	DATE	BY	REVISION	SCALE: NTS

SHEET 3 OF 3

EDBTE3A0118NN