



TITLE: 3PH DISTRIBUTION TRANSFORMER
NAMEPLATE INFORMATION


| | | | | |
|-----|----------|----|----------------|------------|
| 1 | 20/03/17 | PP | SEISMIC UPDATE | DES: CSHAH |
| NO. | DATE | BY | REVISION | SCALE: NTS |

SHEET 1 OF 3

EDBTE3A0118NJM

1.0 httpd 2026/06/05 20:26

THIS DRAWING CONTAINS STRICTLY CONFIDENTIAL INFORMATION BELONGING TO HAMMOND POWER SOLUTIONS AND MUST NOT BE DISTRIBUTED OUTSIDE AUTHORIZED PARTIES.



POWER SOLUTIONS
Guelph, ONT Compton, CA
Baraboo, WI Monterrey, MX

HPS Tribune™ E
Energy Efficient Drive Isolation Transformer
Transformateur Pour Variateur de Vitesse à Efficacité Énergétique

LR 3902
DRY TYPE
77US
E112313

03423174534
7

ALSO REFER TO THE FOLLOWING STANDARDS:
UL 1568 AND IEC 60074-18
BY UNDERWRITERS LABORATORIES INC. @ 316

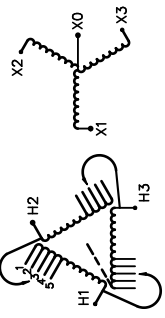
LISTED

SPACINGS BETWEEN ANY VENTILATED ENCLOSURE PANEL AND ANY ADJACENT WALL SHALL BE A MINIMUM OF 5 INCHES EXCEPT WHEN WALL MOUNTED USING APPROVED WALL MOUNTING KIT ELECTROSTATIC SHIELD

d000194hb

SEISMIC QUALIFICATIONS:
AS FLOOR MOUNT ONLY
IBC 2018/ASCE 7-16
SDS<=2.0g Z/h=1 Ip=1.5

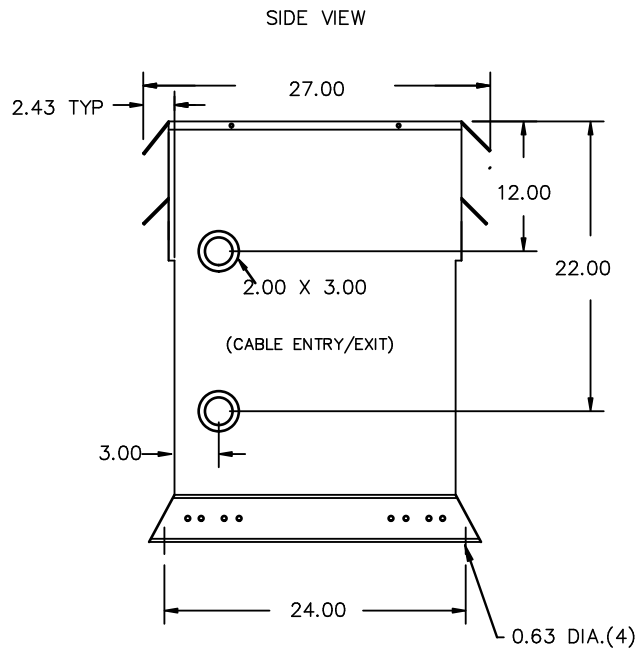
| VOLTS | CURRENT COURANT | % RATED % TENSION NOMINALE | CONNECTION EACH PHASE CONNECTION PAR PHASE |
|-------|--------------------|----------------------------------|---|
| 604 | 113 | 105 | 1 |
| 589 | 116 | 102.5 | 2 |
| 575 | 118 | 100 | 3 |
| 561 | 122 | 97.5 | 4 |
| 546 | 125 | 95 | 5 |



| | | |
|--------------------------------|----------------------------|--------------------------|
| Cust. Ref. Ref. du Client | Serial No. No. de Serie | |
| Phase | HV/HT | 575V 118A |
| Type | BIL | 10 kV |
| Cooling Refroidissement | ANN | H1 H2 H3 |
| kVA | 118 | 460Y/266V 148A |
| Temp. Rise Echauffement | 150 °C | 10 kV |
| Temp Class Classe Temp | 220 °C | X0 X1 X2 X3 |
| Winding Enroulement | CU | DOE 10 CFR PART 431:2016 |
| Frequency Hz | 60 | CEE ACT SOR/2018-201 |
| Impedance % @ 170 °C | 3.7 | |
| Encl. Type Type de Coffrage | 3R | |
| Weight Poids | 785 | |



All Dimensions in inches



ENCLOSURE COLOR :ANSI 61 GREY – OUTDOOR

HV TERMINAL DETAIL

LV TERMINAL DETAIL

MECHANICAL TYPE LUGS INCLUDED
SUITABLE FOR 250MCM-6 CU/AL
CONDUCTORS
1 CONDUCTOR PER PHASE

MECHANICAL TYPE LUGS INCLUDED
SUITABLE FOR 250MCM-6 CU/AL
CONDUCTORS
1 CONDUCTOR PER PHASE

CUSTOMER NOTES:

- HV TERMINATED AT TOP FRONT
- LV TERMINATED AT BOTTOM FRONT
- C/W 1-”NC”- THERMOSTAT PER COIL CONNECTED TO T.B.



TITLE: 3PH DISTRIBUTION TRANSFORMER

| | | | | |
|-----|----------|----|----------------|----------------|
| 1 | 20/03/17 | PP | SEISMIC UPDATE | DES: CSHAH |
| | | | | DATE: 19/09/12 |
| NO. | DATE | BY | REVISION | SCALE: NTS |

SHEET 2 OF 3

EDBTE3A0118NJM

ENCLOSURE BOTTOM VIEW



NOTE:
 WHEN BOTTOM CABLE ENTRY IS OPTED, THE SPACE USED FOR CONDUITS IN THE FRONT OF THE TRANSFORMER SHOULD NOT OBSTRUCT MORE THAN 50% OF THE FRONT AIR INTAKE AREA DEFINED BETWEEN THE BOTTOM PLATE AND THE SUPPORTING LEGS.
 SEE MANUAL FOR ADDITIONAL INFORMATION



TITLE: 3PH DISTRIBUTION TRANSFORMER
ENCLOSURE BOTTOM VIEW

| | | | | |
|-----|----------|----|----------------|------------|
| 1 | 20/03/17 | PP | SEISMIC UPDATE | DES: CSHAH |
| NO. | DATE | BY | REVISION | SCALE: NTS |

SHEET 3 OF 3

EDBTE3A0118NJM